

# **FITTINGS AND ACCESSORIES**

FOR FURNITURE AND KITCHENS



# PEKA – THE ORIGINAL AND BEST SINCE 1964

**Your enjoyment of your home is our chief concern. We at peka are passionate about enhancing your enjoyment of your home with our practical, flawlessly made furniture fittings that combine an attractive appearance with unmatched quality.**

We have been developing and manufacturing pull-outs, accessories and smart interior solutions for the kitchen and furniture industry for over fifty years.

Our unwavering dedication to producing inventive, space-saving solutions and our resolute refusal to compromise on quality and functionality have made us a global leader in our industry. Today, we are one of the top market providers of larder unit pull-outs, slide-out corner systems and ecologically designed waste sorting systems. Our numerous international patents and design awards stand testament to our ingenuity.





---

LARDER UNITS 1

---

BASE UNITS 2

---

WASTE DISPOSAL 3

---

CORNER UNITS 4

---

WALL UNITS 5

---

HOUSEKEEPING 6

---

LIVING AREA / DRESSING ROOM 7

---

THE COMPANY PEKA, SWISS QUALITY DESIGN 8

---



# LARDER UNITS

Overview

**Pleno Plus**  
**Pleno Standard**  
**Trio**  
**Extendo**  
**Standard**  
**Swing**  
**Box**





### Pleno Plus

The efficient larder unit for an unbeatable overview and excellent accessibility

→ 1.05



### Pleno Standard

The universal larder pull-out for units with standard hinged doors

→ 1.15



### Trio

A clear, attractive layout and unbeatable access

→ 1.21



### Standard

The handy front pull-out for practical kitchens

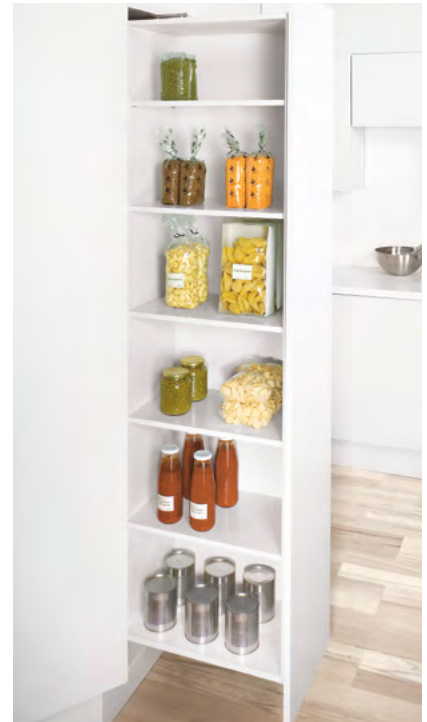
→ 1.31



### Swing

The swivelling larder pull-out for kitchens, living rooms and offices

→ 1.41



### Box

Basic pull-out for custom units

→ 1.47



## Extendo

The flexible pull-out shelf that is right at home anywhere

→ 1.27

# *LARDER UNITS – A STORAGE WONDER!*

Whether they slide out or swing out, larder unit pull-outs offer an unbeatable overview of grocery items or tableware with just one simple movement. No more hunting through drawers to find what you need!

## LARDER UNITS SYSTEM COMPARISON

1

	Unit width 150 mm	Unit width 200 mm	Unit width 275 mm	Unit width 300 mm	Unit width 400 mm	Unit width 450 mm	Unit width 500 mm	Unit width 550 mm	Unit width 600 mm	Front pull-out	For units with hinged doors	For sliding doors	For handle-free front panels	For barrier-free living	
<b>Pleno Plus</b>									•		•		•	•	→ 1.05
<b>Pleno Standard</b>						•			•		•		•	•	→ 1.15
<b>Trio</b>									•		•			•	→ 1.21
<b>Extendo</b>						•	•	•	•		•	•	•	•	→ 1.27
<b>Standard</b>	•	•	•	•	•	•				•			•		→ 1.31
<b>Swing</b>		•		•	•	•				•				•	→ 1.41
<b>Box</b>	•	•	•	•	•	•	•	•	•	•					→ 1.47



# HOCHSCHRANK PLENO PLUS LARDER PULL-OUT

The efficient larder unit solution for an unbeatable overview and excellent accessibility



swiss made

## CONFIGURATIONS



Libell shelves, white



Libell shelves, silver



Libell shelves, anthracite



Fiore shelves, anthracite

## DISTINGUISHING FEATURES



- Just like in a fridge, the unit's contents are distributed across the door shelves and the pull-out
- Smaller groceries and spice jars in the door shelves
- Bigger bags and groceries in the top of the pull-out
- Large pots and dishes in the bottom of the pull-out



- The larger shelves slide out of the unit automatically when the doors are opened
- Everything in the unit is easy to reach – even items stored on the top shelf, since the shelves are only half the depth of the unit



- A full overview in just one easy step
- All the shelves slide out at the same time
- A time-saving solution → No more rummaging around
- A clear overview means no more spoilage
- Height-adjustable shelves
- Easy installation
- Just one set of fittings allows full use of all the space in the unit, even the top shelf



- For hinged doors (with handles or handle-free with a push-to-open system)
- Can mounted on the right or on the left
- Soft opening and closing
- Mounted on ball bearings for smooth movement



## OPTIONS



### Non-slip mat

The non-slip mat stops the unit's contents from sliding around.



### Divider

Magnetic dividers are a flexible way for you to organise the space on your shelves and stop stored items from falling out of the unit.



### Wooden boxes

Handmade oak boxes of various sizes for storing and organising small items. You can stack and rearrange them however you like.

## TECHNICAL ILLUSTRATION

<b>B= Unit widths</b>	600 mm
<b>T= Interior depth</b>	500 mm
<b>H= Interior height</b>	1300 / 1600 / 1900 mm

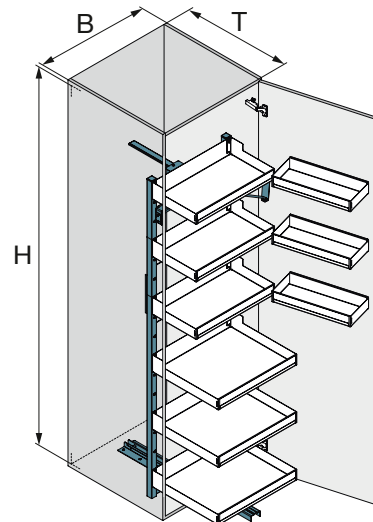
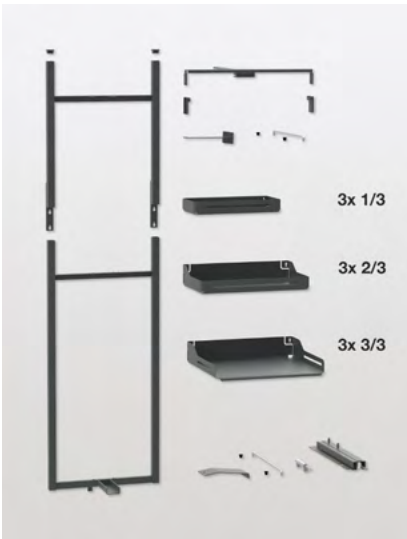


Illustration: Height 1900 mm



## Hochschrank Pleno Plus Libell larder pull-out 1900

Complete mechanism set, including Libell clip-on shelves

- Compatible with standard hinges

Set includes:

- 1 main frame
- 1 frame top 1900
- 3 door shelves Libell 1/3 (depth 161 mm)
- 3 clip-on shelves Libell 2/3 (depth 268 mm)
- 3 clip-on shelves Libell 3/3 (depth 403 mm)
- 1 set of door connections
- 1 lower slide, including Softopen
- 1 upper slide

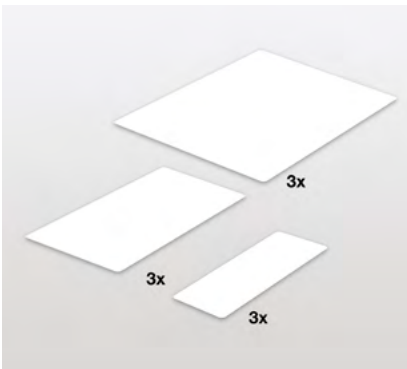
Opening angle: 110°

Load capacity extension runner: 100 kg

Load capacity door: max. 3 kg per shelf

Interior depth: min. 500

Unit width	Surface	Width	Depth	Height	Art. No.
600	white	562/568	495	1715	100.1136.01
600	silver	562/568	495	1715	100.1136.12
600	anthracite	562/568	495	1715	100.1136.43



## Non-slip mat set magnetic Libell

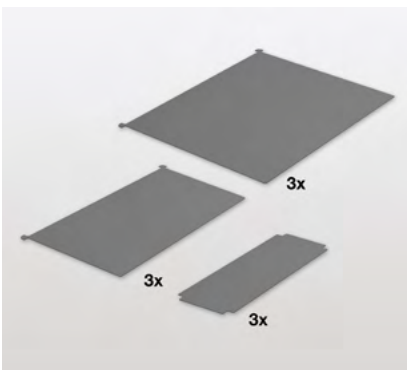
For the Libell clip-on shelves for Hochschrank Pleno Plus 1900

- Magnetic
- Easy to remove for cleaning

Set includes:

- 3 mats for door shelves Libell 1/3
- 3 mats for clip-on shelves Libell 2/3
- 3 mats for clip-on shelves Libell 3/3

Unit width	Surface	Width	Depth	Height	Art. No.
600	oyster white				100.1142.57



## Non-slip mat set Standard Libell

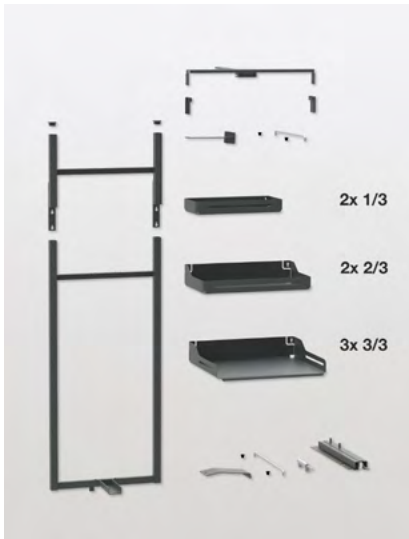
For the Libell clip-on shelves for Hochschrank Pleno Plus 1900

- Gummed on both sides
- Raised diamond pattern
- Easy to remove for cleaning

Set includes:

- 3 mats for door shelves Libell 1/3
- 3 mats for clip-on shelves Libell 2/3
- 3 mats for clip-on shelves Libell 3/3

Unit width	Surface	Width	Depth	Height	Art. No.
600	grey				100.1139.18



## Hochschrank Pleno Plus Libell larder pull-out 1600

Complete mechanism set, including Libell clip-on shelves

- Compatible with standard hinges

Set includes:

- 1 main frame
- 1 frame top 1600
- 2 door shelves Libell 1/3 (depth 161 mm)
- 2 clip-on shelves Libell 2/3 (depth 268 mm)
- 3 clip-on shelves Libell 3/3 (depth 403 mm)
- 1 set of door connections
- 1 lower slide, including Softopen
- 1 upper slide

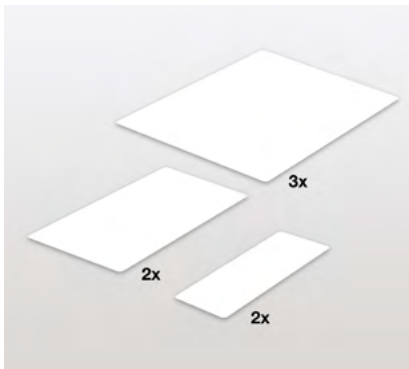
Opening angle: 110°

Load capacity extension runner: 100 kg

Load capacity door: max. 3 kg per shelf

Interior depth: min. 500

Unit width	Surface	Width	Depth	Height	Art. No.
600	white	562/568	495	1412	100.1137.01
600	silver	562/568	495	1412	100.1137.12
600	anthracite	562/568	495	1412	100.1137.43



## Non-slip mat set magnetic Libell

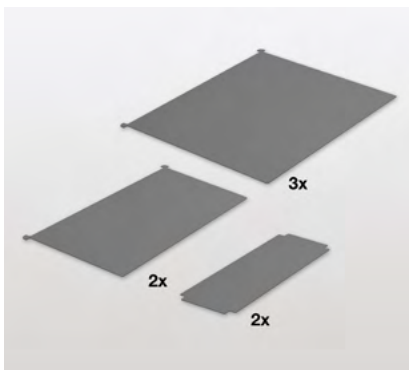
For the Libell clip-on shelves for Hochschrank Pleno Plus 1600

- Magnetic
- Easy to remove for cleaning

Set includes:

- 2 mats for door shelves Libell 1/3
- 2 mats for clip-on shelves Libell 2/3
- 3 mats for clip-on shelves Libell 3/3

Unit width	Surface	Width	Depth	Height	Art. No.
600	oyster white				100.1143.57



## Non-slip mat set Standard Libell

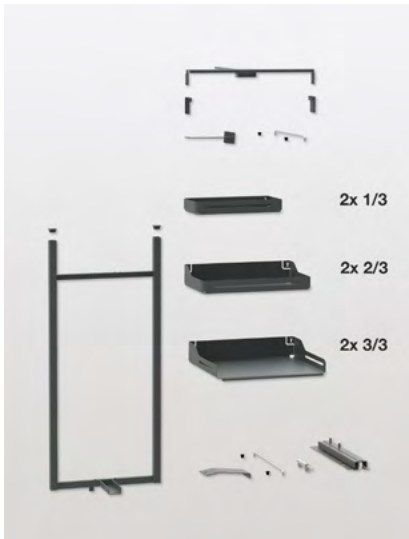
For the Libell clip-on shelves for Hochschrank Pleno Plus 1600

- Gummed on both sides
- Raised diamond pattern
- Easy to remove for cleaning

Set includes:

- 2 mats for door shelves Libell 1/3
- 2 mats for clip-on shelves Libell 2/3
- 3 mats for clip-on shelves Libell 3/3

Unit width	Surface	Width	Depth	Height	Art. No.
600	grey				100.1140.18



## Hochschrank Pleno Plus Libell larder pull-out 1300

Complete mechanism set, including Libell clip-on shelves

- Compatible with standard hinges

Set includes:

- 1 main frame
- 2 door shelves Libell 1/3 (depth 161 mm)
- 2 clip-on shelves Libell 2/3 (depth 268 mm)
- 2 clip-on shelves Libell 3/3 (depth 403 mm)
- 1 set of door connections
- 1 lower slide, including Softopen
- 1 upper slide

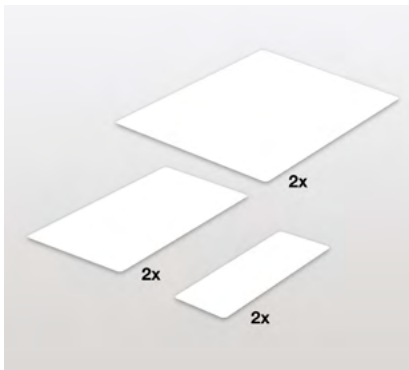
Opening angle: 110°

Load capacity extension runner: 100 kg

Load capacity door: max. 3 kg per shelf

Interior depth: min. 500

Unit width	Surface	Width	Depth	Height	Art. No.
600	white	562/568	495	1104	100.1138.01
600	silver	562/568	495	1104	100.1138.12
600	anthracite	562/568	495	1104	100.1138.43



## Non-slip mat set magnetic Libell

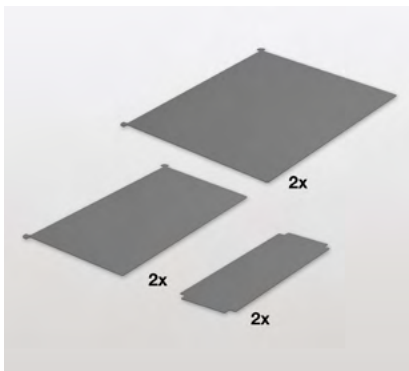
For the Libell clip-on shelves for Hochschrank Pleno Plus 1300

- Magnetic
- Easy to remove for cleaning

Set includes:

- 2 mats for door shelves Libell 1/3
- 2 mats for clip-on shelves Libell 2/3
- 2 mats for clip-on shelves Libell 3/3

Unit width	Surface	Width	Depth	Height	Art. No.
600	oyster white				100.1144.57



## Non-slip mat set Standard Libell

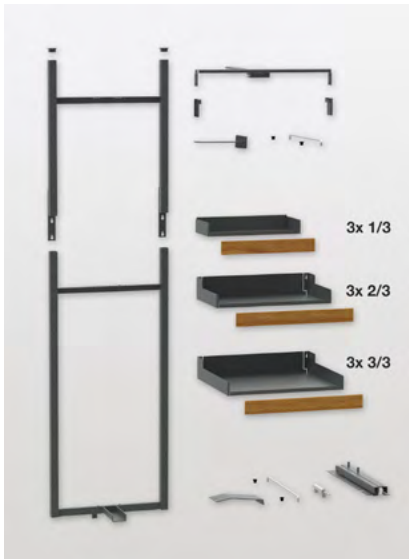
For the Libell clip-on shelves for Hochschrank Pleno Plus 1300

- Gummed on both sides
- Raised diamond pattern
- Easy to remove for cleaning

Set includes:

- 2 mats for door shelves Libell 1/3
- 2 mats for clip-on shelves Libell 2/3
- 2 mats for clip-on shelves Libell 3/3

Unit width	Surface	Width	Depth	Height	Art. No.
600	grey				100.1141.18



## Hochschrank Pleno Plus Fiore larder pull-out 1900

Complete mechanism set, including Fiore clip-on shelves

- Compatible with standard hinges

Set includes:

- 1 main frame
- 1 frame top 1900
- 3 door shelves Fiore 1/3 (depth 161 mm)
- 3 clip-on shelves Fiore 2/3 (depth 268 mm)
- 3 clip-on shelves Fiore 3/3 (depth 403 mm)
- 9 wooden rails oak medium (height 52 mm)
- 1 set of door connections
- 1 lower slide, including Softopen
- 1 upper slide

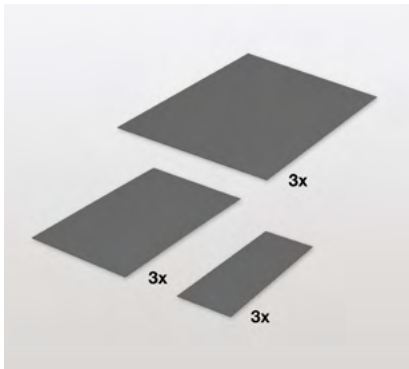
Opening angle: 110°

Load capacity extension runner: 100 kg

Load capacity door: max. 3 kg per shelf

Interior depth: min. 500

Unit width	Surface	Width	Depth	Height	Art. No.
600	anthracite	562/568	495	1715	100.1003.43



## Non-slip mat set Standard Fiore

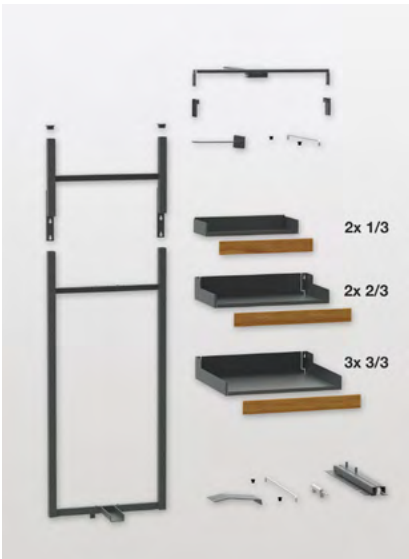
For the Fiore clip-on shelves for Hochschrank Pleno Plus 1900

- Gummed surface
- Raised diamond pattern
- Easy to remove for cleaning

Set includes:

- 3 mats for door shelves Libell 1/3
- 3 mats for clip-on shelves Libell 2/3
- 3 mats for clip-on shelves Libell 3/3

Unit width	Surface	Width	Depth	Height	Art. No.
600	grey				100.1011.18



## Hochschrank Pleno Plus Fiore larder pull-out 1600

Complete mechanism set, including Fiore clip-on shelves

- Compatible with standard hinges

Set includes:

- 1 main frame
- 1 frame top 1600
- 2 door shelves Fiore 1/3 (depth 161 mm)
- 2 clip-on shelves Fiore 2/3 (depth 268 mm)
- 3 clip-on shelves Fiore 3/3 (depth 403 mm)
- 7 wooden rails oak medium (height 52 mm)
- 1 set of door connections
- 1 lower slide, including Softopen
- 1 upper slide

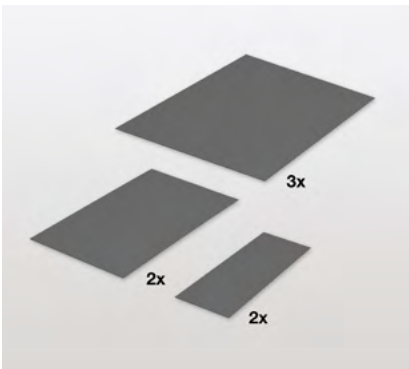
Opening angle: 110°

Load capacity extension runner: 100 kg

Load capacity door: max. 3 kg per shelf

Interior depth: min. 500

Unit width	Surface	Width	Depth	Height	Art. No.
600	anthracite	562/568	495	1412	100.1131.43



## Non-slip mat set Standard Fiore

For the Fiore clip-on shelves for Hochschrank Pleno Plus 1600

- Gummed surface
- Raised diamond pattern
- Easy to remove for cleaning

Set includes:

- 2 mats for door shelves Libell 1/3
- 2 mats for clip-on shelves Libell 2/3
- 3 mats for clip-on shelves Libell 3/3

Unit width	Surface	Width	Depth	Height	Art. No.
600	grey				100.1134.18

## Hochschrank Pleno Plus Fiore larder pull-out 1300

Complete mechanism set, including Fiore clip-on shelves

- Compatible with standard hinges

Set includes:

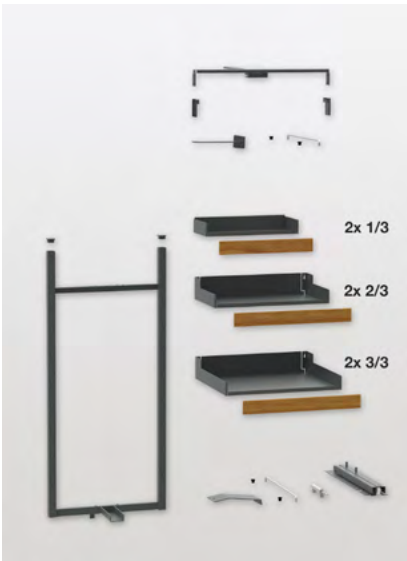
- 1 main frame
- 2 door shelves Fiore 1/3 (depth 161 mm)
- 2 clip-on shelves Fiore 2/3 (depth 268 mm)
- 2 clip-on shelves Fiore 3/3 (depth 403 mm)
- 6 wooden rails oak medium (height 52 mm)
- 1 set of door connections
- 1 lower slide, including Softopen
- 1 upper slide

Opening angle: 110°

Load capacity extension runner: 100 kg

Load capacity door: max. 3 kg per shelf

Interior depth: min. 500



Unit width	Surface	Width	Depth	Height	Art. No.
600	anthracite	562/568	495	1104	100.1133.43

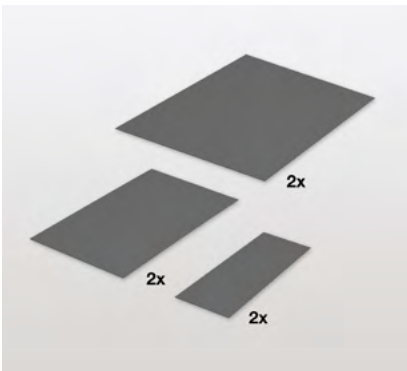
## Non-slip mat set Standard Fiore

For the Fiore clip-on shelves for Hochschrank Pleno Plus 1300

- Gummed surface
- Raised diamond pattern
- Easy to remove for cleaning

Set includes:

- 2 mats for door shelves Libell 1/3
- 2 mats for clip-on shelves Libell 2/3
- 2 mats for clip-on shelves Libell 3/3



Unit width	Surface	Width	Depth	Height	Art. No.
600	grey				100.1135.18



### Wooden box “low” Pleno Plus

For clip-on shelf Fiore for Hochschrank Pleno Plus

1x small, low-sided boxes (247 x 148 x 50 mm)

Unit width	Surface	Width	Depth	Height	Art. No.
600	Light oak	247	148	50	100.0900.36



### Wooden box set “low” Pleno Plus

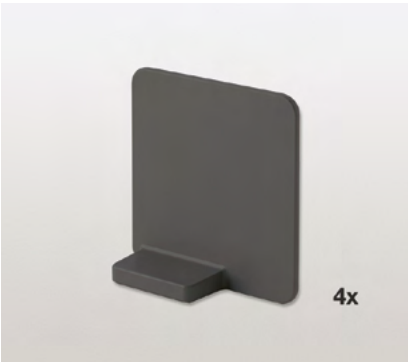
For clip-on shelf Fiore for Hochschrank Pleno Plus

Set includes:

1x horizontal bracket (473 x 102 x 87 mm)

2x small, low-sided boxes (247 x 148 x 50 mm)

Unit width	Surface	Width	Depth	Height	Art. No.
600	Light oak	473	398	50 / 87	100.0907.36



### Divider set magnetic

For Libell and Fiore shelves

- Can be attached to the shelf (base or side) or the non-slip mat

Set of 4 pieces

	Surface	Width	Depth	Height	Art. No.
	white	85	26 / 3	90	100.1121.51
	grey	85	26 / 3	90	100.1121.52
	anthracite	85	26 / 3	90	100.1121.43



### Adapter for framed front panel

For Pleno Plus larder units with framed front panels

For mounting the door shelves on doors with frames

	Surface	Width	Depth	Height	Art. No.
	white	550	3	55	100.1160.01
	silver	550	3	55	100.1160.12
	anthracite	550	3	55	100.1160.43



# HOCHSCHRANK PLENO STANDARD LARDER PULL-OUT

The universal larder pull-out for units with standard hinged doors



## CONFIGURATIONS



Libell shelves, white



Libell shelves, silver



Libell shelves, anthracite



Fiore shelves, anthracite

## DISTINGUISHING FEATURES



- Just open the unit doors to make the unit's contents glide out smoothly
- The universal larder unit pull-out for kitchens, living rooms and dressing rooms
- Access from three sides
- You can adjust the heights of the clip-on shelves individually
- For hinged doors with standard hinges (front panels with handles or handle-free front panels with push-to-open system)
- Can be mounted on the right or left
- Soft opening and closing
- Mounted on ball bearings for smooth movement when pulled out

## OPTIONS



### Adjustable extra shelves

These magnetic extra shelves can simply be placed on top of the shelves, and their angle can be adjusted. A practical solution that provides extra space for items like pot lids.



### Non-slip mat

The magnetic non-slip mat for Libell shelves stops the unit's contents from sliding around.



### Divider

Magnetic dividers are a flexible way for you to organise the space on your shelves and stop stored items from falling out of the unit.

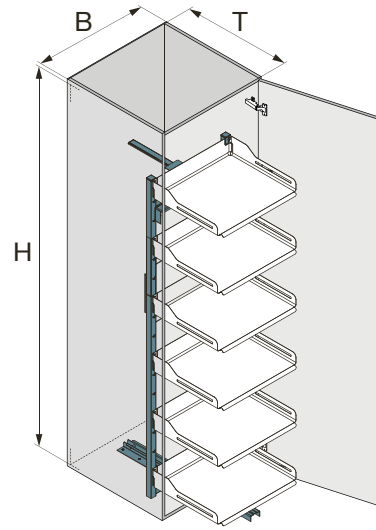


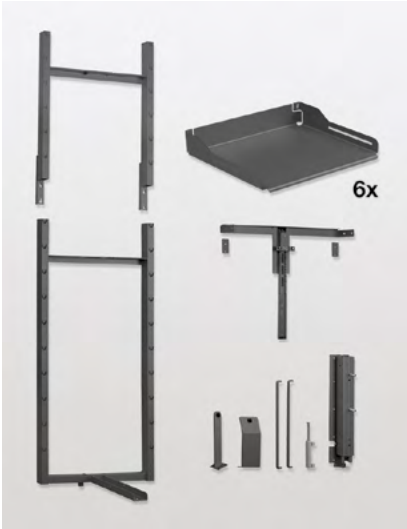
### Wooden boxes

Handmade oak boxes of various sizes for storing and organising small items. You can stack and rearrange them however you like.

## TECHNICAL ILLUSTRATION

<b>B= Unit widths</b>	450/600 mm
<b>T= Interior depth</b>	500 mm
<b>H= Interior height</b>	1900 mm





## Hochschrank Pleno Libell larder pull-out 1900

Complete mechanism set, including a set of Libell clip-on shelves

Set includes:

- 1 main frame
- 1 frame top 1900
- 6 clip-on shelves Libell
- 1 set of door connections
- 1 lower slide, including Softopen
- 1 upper slide

Opening angle: 110°

Load capacity: 100 kg

Interior depth: min. 500 mm

Unit width	Surface	Width	Depth	Height	Art. No.
450	white	412 / 418	495	1715	100.0917.01
450	silver	412 / 418	495	1715	100.0917.12
450	anthracite	412 / 418	495	1715	100.0917.43
600	white	562 / 568	495	1715	100.0918.01
600	silver	562 / 568	495	1715	100.0918.12
600	anthracite	562 / 568	495	1715	100.0918.43

*Other heights available on request*

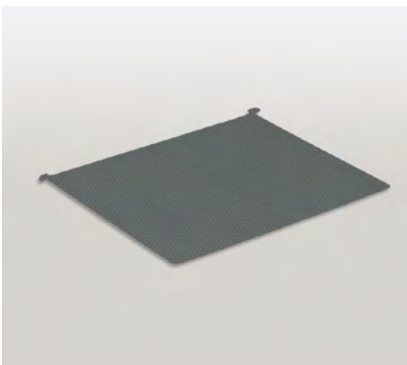


## Non-slip mat magnetic Libell

For the Libell clip-on shelf for Hochschrank Pleno Standard

- Magnetic
- Easy to remove for cleaning

Unit width	Surface	Width	Depth	Height	Art. No.
450	oyster white	282	364	0.5	100.0812.57
600	oyster white	432	364	0.5	100.0815.57



## Non-slip mat Standard Libell

For the Libell clip-on shelf for Hochschrank Pleno Standard

- Gummed on both sides
- Raised diamond pattern
- Easy to remove for cleaning

Unit width	Surface	Width	Depth	Height	Art. No.
450	grey	304	382	1	100.0816.18
600	grey	454	382	1	100.0819.18



## Hochschrank Pleno Standard Fiore larder pull-out 1900

Complete mechanism set, including Fiore clip-on shelves

Set includes:

- 1 main frame
- 1 frame top 1900
- 6 clip-on shelves Fiore
- 6 wooden rails oak medium (height 52 mm)
- 1 set of door connections
- 1 lower slide, including Softopen
- 1 upper slide

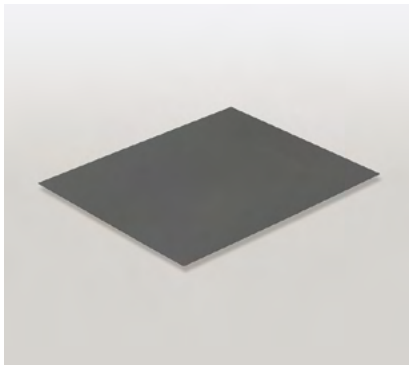
Opening angle: 110°

Load capacity: 100 kg

Interior depth: min. 500

Unit width	Surface	Width	Depth	Height	Art. No.
450	anthracite	412 / 418	495	1715	100.0956.43
600	anthracite	562 / 568	495	1715	100.0959.43

*Other heights available on request*



## Non-slip mat Standard Fiore

For the Fiore clip-on shelf for Hochschrank Pleno Standard

- Gummed surface
- Raised diamond pattern
- Easy to remove for cleaning

Unit width	Surface	Width	Depth	Height	Art. No.
450	grey	323	393	1	100.0964.18
600	grey	473	393	1	100.0965.18



### Wooden box set "low" Pleno Standard

For clip-on shelf Libell and Fiore for Hochschrank Pleno Standard

Set includes:

1x horizontal bracket (473 / 323 x 102 x 87 mm)  
2x small, low-sided boxes (247 x 148 x 50 mm)

Unit width	Surface	Width	Depth	Height	Art. No.
450	Light oak			50 / 87	100.0909.36
600	Light oak			50 / 87	100.0907.36



### Wooden box set "high" Pleno Standard

For clip-on shelf Libell and Fiore for Hochschrank Pleno Standard

Set includes:

1x horizontal bracket (473 x 102 x 87 mm)  
1x large, high-sided box (247 x 296 x 87 mm)

Unit width	Surface	Width	Depth	Height	Art. No.
600	Light oak			87	100.0908.36



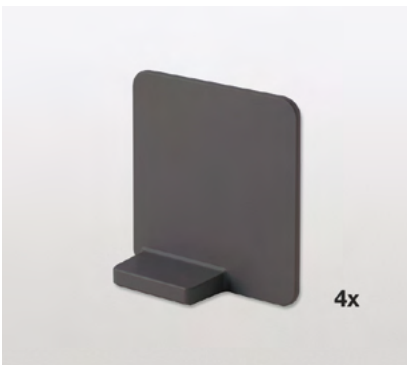
### Extra shelf

For clip-on shelf Libell and Fiore for Hochschrank Pleno Standard

- Magnetic - the magnetic feet stick to the Libell/Fiore shelf
- Shelf can be placed in three different positions
- An extra level of storage for pot lids and similar

Unit width	Surface	Width	Depth	Height	Art. No.
450	white silver	309	226	160 / 164	200.1442.xx
600	anthracite	459	226	160 / 164	200.1448.xx

Colour code .xx: 01 = white, 12 = silver, 43 = anthracite



### Divider set magnetic

For Libell and Fiore shelves

- Can be attached to the shelf (base or side) or the non-slip mat

Set of 4 pieces

	Surface	Width	Depth	Height	Art. No.
	white	85	26 / 3	90	100.1121.51
	grey	85	26 / 3	90	100.1121.52
	anthracite	85	26 / 3	90	100.1121.43



# TRIO LARDER UNIT



A clear, attractive layout and unbeatable access – what more could you ask for in a larder unit?



## CONFIGURATIONS



Libell shelves, white



Libell shelves, silver



Libell shelves, anthracite

## DISTINGUISHING FEATURES



- When the unit is opened, the system offers a full overview and direct access
- Two Extendo pull-out shelves provide an excellent overview and immediate access to heavy pots and kitchen appliances
- Easy front access and a full view of all shelf contents when fully extended
- Uses every last inch of space across the entire width of the unit
- Everything in the unit is easy to reach – even items stored on the top shelf, since the shelves are only half the depth of the unit
- Smaller groceries and spice jars in the door shelves
- Bigger bags and groceries on the shelves inside the unit
- The door shelves can be fixed in place with just two screws
- The shelves' rounded corners and edges make them easy to clean
- Suitable for units with standard hinges (front panels with handles or handle-free front panels with push-to-open system)



## OPTIONS



### Non-slip mat

The non-slip mat for Libell shelves stops the unit's contents from sliding around.

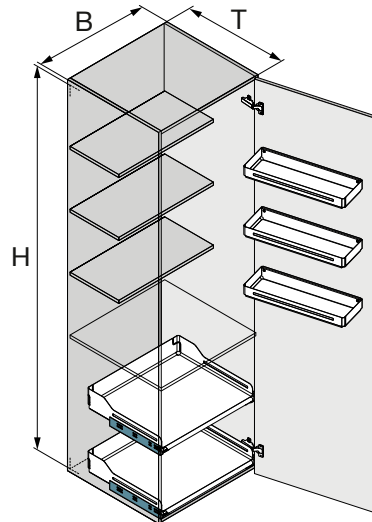


### Divider

Magnetic dividers are a flexible way for you to organise the space on your Libell shelves and stop stored items from falling out of the unit.

## TECHNICAL ILLUSTRATION

<b>B= Unit widths</b>	600 mm
<b>T= Interior depth</b>	508 mm
<b>H= Interior height</b>	1900 mm





### Trio larder unit

Combination set for larder units incl. universal adapter set

Set includes:

- 3 door shelves Libell 1/3 (depth: 161 mm)
- 2 Extendo Libell pull-out shelves incl. spacer and universal adapter set for drawer runners of Blum, Grass, Hettich, etc. with a nominal length of 450 mm (excl. Blum Legrabox)

Does not include Extendo drawer runners or fixed wooden shelves.

Suitable for larder units over 1,900 mm tall

Unit width	Surface	Width	Depth	Height	Art. No.
600	white	562-568	508		100.1153.01
600	silver	562-568	508		100.1153.12
600	anthracite	562-568	508		100.1153.43



### Trio larder unit

Combination set for larder units incl. adapter set Blum Legrabox

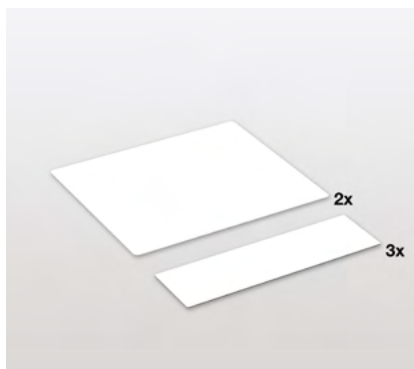
Set includes:

- 3 door shelves Libell 1/3 (depth: 161 mm)
- 2 Extendo Libell pull-out shelves incl. spacer and adapter set for drawer runner Blum Legrabox with a nominal length of 450 mm

Does not include Extendo drawer runners or fixed wooden shelves.

Suitable for larder units over 1,900 mm tall

Unit width	Surface	Width	Depth	Height	Art. No.
600	white	562-568	508		100.1154.01
600	silver	562-568	508		100.1154.12
600	anthracite	562-568	508		100.1154.43



### Non-slip mat set magnetic Libell

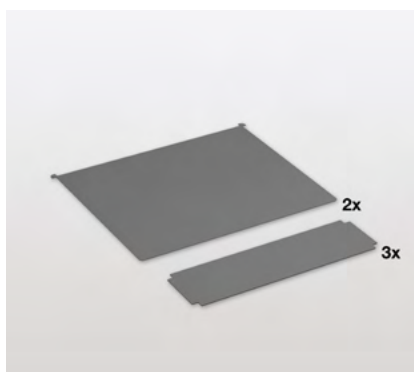
For Trio larder unit (Extendo and door shelves)

- Magnetic
- Easy to remove for cleaning

Set includes:

3 mats for door shelves Libell 1/3  
2 mats for Extendo pull-out shelves

Unit width	Surface	Width	Depth	Height	Art. No.
600	oyster white				100.1156.57



### Non-slip mat set Standard Libell

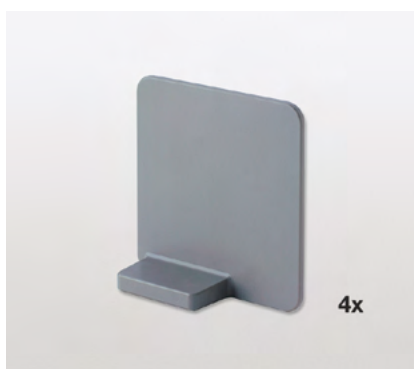
For Trio larder unit (Extendo and door shelves)

- Gummed on both sides
- Raised diamond pattern
- Easy to remove for cleaning

Set includes:

3 mats for door shelves Libell 1/3  
2 mats for Extendo pull-out shelves

Unit width	Surface	Width	Depth	Height	Art. No.
600	grey				100.1155.18



### Divider set magnetic

For Libell and Fiore shelves

- Can be attached to the shelf (base or side) or the non-slip mat

Set of 4 pieces

	Surface	Width	Depth	Height	Art. No.
	white	85	26 / 3	90	100.1121.51
	grey	85	26 / 3	90	100.1121.52
	anthracite	85	26 / 3	90	100.1121.43



# EXTENDO LARDER UNIT

The flexible pull-out shelf that is right at home anywhere



## CONFIGURATIONS



Extendo Libell, white



Extendo Libell, silver



Extendo Libell, anthracite



Extendo Fioro, anthracite

## DISTINGUISHING FEATURES



- Compatible with any kind of unit – even units with hinged doors or no doors at all
- Easy front access and a complete overview of contents when fully extended
- Great for storing tableware, pots and groceries

- Uses every last inch of space in the unit
- Shelves can be fully extended
- Can be fitted in any unit, whatever the width
- The metal shelves are extremely stable, even when they are very wide

- The shelves' rounded corners and edges make them easy to clean
- Compatible with all standard drawer runners



- The Click Stop locking mechanism prevents Extendo pull-out shelves from rolling back into the unit too soon



- Handmade oak boxes of various sizes for storing and organising small items
- You can stack and rearrange them however you like

## OPTIONS



### Adjustable extra shelves

These magnetic extra shelves can simply be placed on top of the shelves, and their angle can be adjusted. A practical solution that provides extra space for items like pot lids.



### Non-slip mat

The non-slip mat stops the unit's contents from sliding around.



### Divider

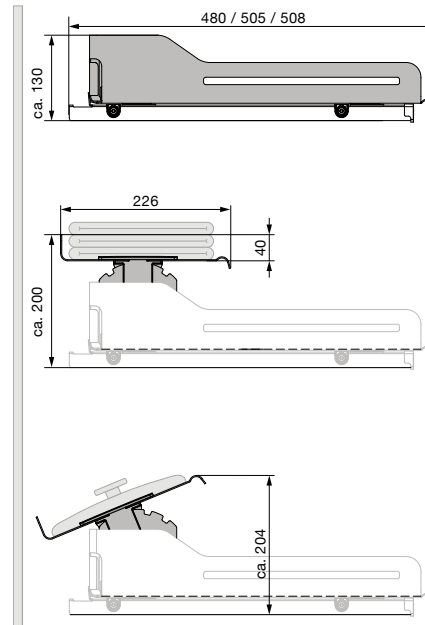
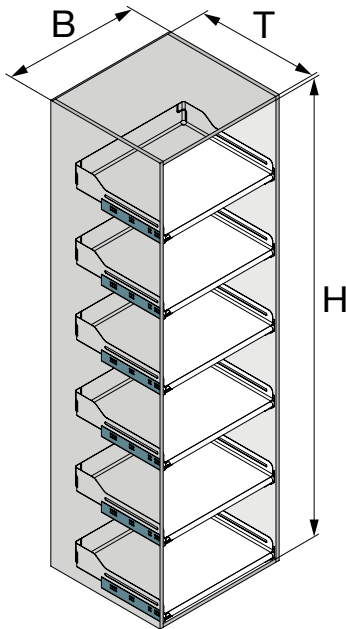
Magnetic dividers are a flexible way for you to organise the space on your shelves and stop stored items from falling out of the unit.



### Click Stop

The locking mechanism for pull-outs Click Stop temporarily transforms a movable pull-out shelf into a fixed work surface.

## TECHNICAL ILLUSTRATION



<b>B= Unit widths</b>	450/500/550/600 mm
<b>T= Interior depth</b>	480 mm (without spacer, with adapter set for drawer runner Blum Legrabox) 505 mm (without spacer, with universal adapters) 508 mm (with spacer)
<b>H= Interior height</b>	See the illustration at the top right




**Item details for Extendo please see  
Chapter 2 – Base units**



# HOCHSCHRANK STANDARD LARDER PULL-OUT

The handy front pull-out for practical kitchens



 swiss made

## CONFIGURATIONS



Libell shelves  
(white / silver / anthracite)



Fiore shelves, anthracite



Basket Excellent, chrome



Plastic tray, white

## DISTINGUISHING FEATURES



- Standard larder pull-out for extra space and greater convenience in any kitchen
- A full overview of the unit's contents with one easy movement
- Also available for narrow units (150 mm at the narrowest)

- Access from two sides
- A choice of Libell and Fiore metal shelves, chrome baskets or plastic trays
- The height-adjustable shelves help to make best use of the available space

- Soft opening and closing
- Moves smoothly and quietly
- ClickFixx assembly and easy adjustment

## OPTIONS



### Divider

Magnetic dividers are a flexible way for you to organise the space on your Libell and Fiore shelves and stop stored items from falling out of the unit.



### Non-slip mat

The non-slip mat for Libell and Fiore shelves stops the unit's contents from sliding around.

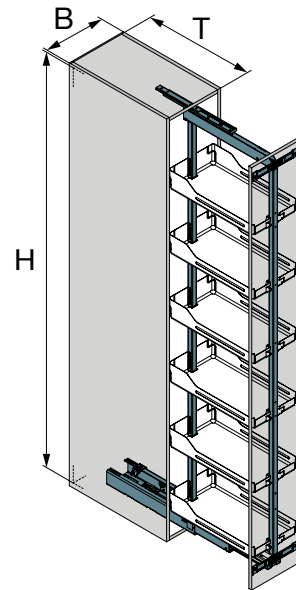


### E-Touch

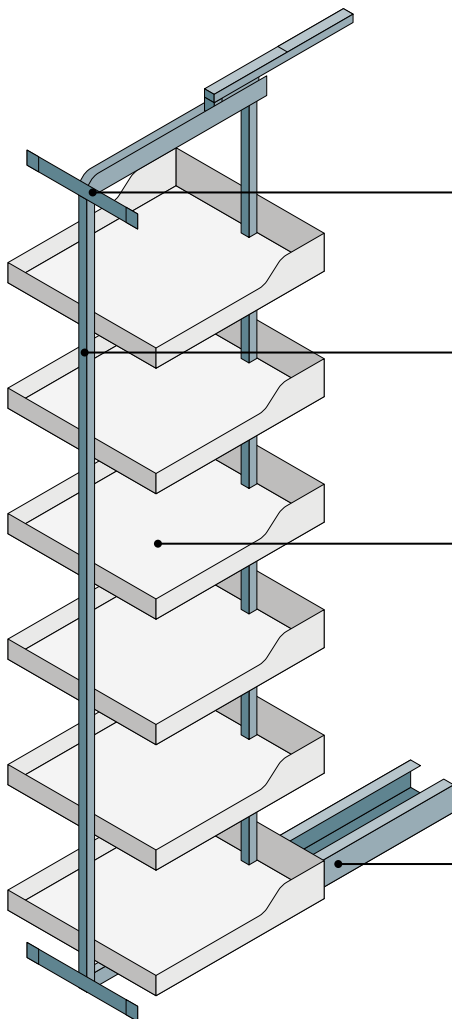
Just touch the unit door to open and close the unit automatically.

## TECHNICAL ILLUSTRATION

<b>B= Unit widths</b>	150/200/250/275/300/400/450 mm
<b>T= Interior depth</b>	505 mm
<b>H= Interior height</b>	900-2260 mm



## LIST OF COMPONENTS



### Assembly material

Front bracket, stabiliser, extra hooks

→ 1.40

### Tubular frames

Height-adjustable

→ 1.35

Fixed

→ 1.36

### Accessories

E-Touch

→ 1.36

Clip-on shelf Libell

→ 1.36

Clip-on shelf Fiore

→ 1.37

Clip-on basket Excellent

→ 1.39

Clip-on tray

→ 1.39

### Extension runner

Full-extension runner

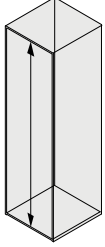
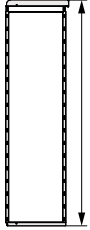
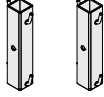
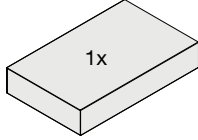
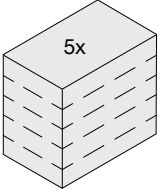
→ 1.35

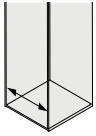
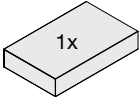
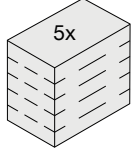
Standard-extension runner

→ 1.35

# CONFIGURATION FOR LIBELL AND FIORO CLIP-ON SHELVES

1

				
≥ 900	845 - 1245	-	3x	-
> 1200	1145 - 1545	1x	4x	-
≥ 1220	845 - 1245	-	4x	-
> 1520	1145 - 1545	1x	-	1x
> 1600	1545 - 1945	-	-	1x
> 1805	1750 - 2205	1x	1x	1x
> 1920	1545 - 1945	-	1x	1x
1999	1944	-	1x	1x
> 2125	1750 - 2205	1x	2x	1x

				
	Libell	Fioro	Libell	Fioro
150	100.1105.xx	100.1015.xx	100.1122.xx	100.0938.xx
200	100.1110.xx	100.1016.xx	100.1123.xx	100.0939.xx
275	100.1106.xx	100.1018.xx	100.1125.xx	100.0941.xx
300	100.1107.xx	100.1019.xx	100.1126.xx	100.0942.xx
400	100.1108.xx	100.1020.xx	100.1127.xx	100.0943.xx
450	100.1109.xx	100.1021.xx	100.1128.xx	100.0944.xx

Colour code .xx: 01 = white, 12 = silver, 43 = anthracite



### Full-extension runner Compact Hochschrank Standard

For tubular frames Hochschrank Standard

- Includes Softopen and Softclose
- Includes automatic synchronisation
- Includes ClickFixx / quick assembly

Load capacity: 120 kg

	Surface	Width	Depth	Height	Art. No.
	white	130	490	55	100.0874.01
	silver	130	490	55	100.0874.02
	anthracite	130	490	55	100.0874.43



### Standard-extension runner Single Hochschrank Standard

For tubular frames Hochschrank Standard

- Includes Softopen and Softclose
- Includes ClickFixx / quick assembly

Load capacity: 100 kg

	Surface	Width	Depth	Height	Art. No.
	white	79	495	55	100.0922.01
	silver	79	495	55	100.0922.02
	anthracite	79	495	55	100.0922.43



### Height-adjustable tubular frame Hochschrank Standard

For full-extension runner Compact and standard-extension runner Single Hochschrank Standard

- Includes ClickFixx / quick assembly

Interior height = Height of tubular frame + Height of extension runner

Interior height	Surface	Width	Depth	Height	Art. No.
900 - 1300	white silver anthracite		495	845 - 1245	100.0590.xx
1200 - 1600			495	1145 - 1545	100.0592.xx
1600 - 2000			495	1545 - 1945	100.0594.xx
1805 - 2260			495	1750 - 2205	100.0596.xx

Colour code .xx: 01 = white, 02 = silver, 43 = anthracite



## Fixed tubular frame Hochschrank Standard

For full-extension runner Compact and single-extension runner Single Hochschrank Standard

- Includes ClickFixx / quick assembly

Interior height = Height of tubular frame + Height of extension runner

Interior height	Surface	Width	Depth	Height	Art. No.
1999	white		495	1944	100.0598.01
1999	silver		495	1944	100.0598.02
1999	anthracite		495	1944	100.0598.43



## E-Touch

Electronic door opener for full-extension runner Compact Hochschrank Standard

- For handle-free fronts – opens with a light tap
- Can be retrofitted

Impact force: max. 120 kg

Unit width: min. 300 mm

Requires: Softclose

Electromotive support: opening

Unit width	Surface	Width	Depth	Height	Art. No.
300	grey	68	333	77	100.0873.02



## Clip-on shelf set Libell

To clip onto the tubular frame Hochschrank Standard

Set of 5 pieces

Unit width	Surface	Width	Depth	Height	Art. No.
150*	white silver anthracite	100	468	92	100.1122.xx
200		150	468	92	100.1123.xx
275		225	468	92	100.1125.xx
300		250	468	92	100.1126.xx
400		350	468	92	100.1127.xx
450		400	468	92	100.1128.xx

Colour code .xx: 01 = white, 12 = silver, 43 = anthracite

Other widths available on request

\* Clip-on shelves for unit width 150 mm are compatible only with the standard-extension runner Single (100.0922.xx)



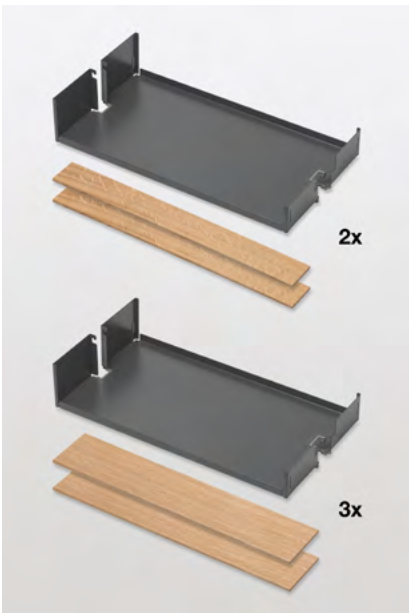


### Clip-on shelf Libell

To clip onto the tubular frame Hochschrank Standard

Unit width	Surface	Width	Depth	Height	Art. No.
150*	white silver anthracite	100	468	92	100.1105.xx
200		150	468	92	100.1110.xx
275		225	468	92	100.1106.xx
300		250	468	92	100.1107.xx
400		350	468	92	100.1108.xx
450		400	468	92	100.1109.xx

Colour code .xx: 01 = white, 12 = silver, 43 = anthracite  
Other widths available on request



### Clip-on shelf set Fiore

To clip onto the tubular frame Hochschrank Standard

Set includes:  
5 clip-on shelves Fiore  
4 wooden rails oak medium (height 52 mm)  
6 wooden rails oak high (height 87 mm)

Unit width	Surface	Width	Depth	Height	Art. No.
150*	anthracite	100	462	90	100.0938.43
200	anthracite	150	462	90	100.0939.43
275	anthracite	225	462	90	100.0941.43
300	anthracite	250	462	90	100.0942.43
400	anthracite	350	462	90	100.0943.43
450	anthracite	400	462	90	100.0944.43

Other widths available on request



### Clip-on shelf Fiore

To clip onto the tubular frame Hochschrank Standard

Set includes:  
1 clip-on shelf Fiore  
2 wooden rails oak high (height 87 mm)

Unit width	Surface	Width	Depth	Height	Art. No.
150*	anthracite	100	462	90	100.1015.43
200	anthracite	150	462	90	100.1016.43
275	anthracite	225	462	90	100.1018.43
300	anthracite	250	462	90	100.1019.43
400	anthracite	350	462	90	100.1020.43
450	anthracite	400	462	90	100.1021.43

Other widths available on request

\* Clip-on shelves for unit width 150 mm are compatible only with the standard-extension runner Single (100.0922.xx)

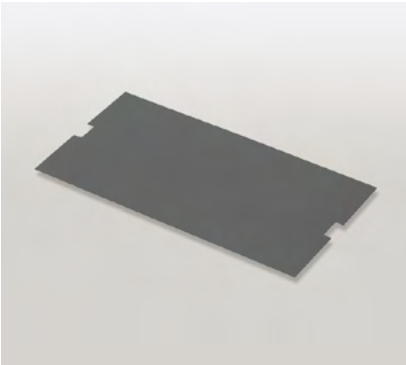


## Non-slip mat magnetic Libell

For the Libell clip-on shelf for Hochschrank Standard

- Magnetic
- Easy to remove for cleaning

Unit width	Surface	Width	Depth	Height	Art. No.
150	oyster white	67	390	0.5	200.1277.57
200	oyster white	105	390	0.5	200.1278.57
275	oyster white	180	415	0.5	100.0698.57
300	oyster white	205	415	0.5	100.0699.57
400	oyster white	305	415	0.5	100.0701.57
450	oyster white	355	415	0.5	200.1365.57



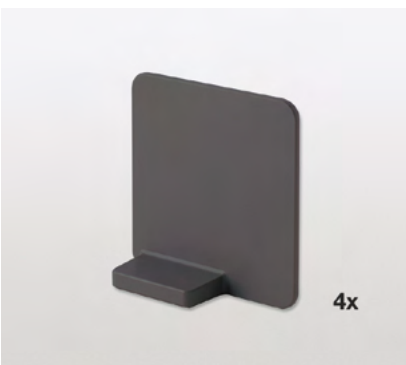
## Non-slip mat Standard

For the Libell and Fiore clip-on shelf for Hochschrank Standard

- Gummed on both sides
- Raised diamond pattern
- Easy to remove for cleaning

Unit width	Surface	Width	Depth	Height	Art. No.
150	grey	80	440	1	100.0910.18
200	grey	130	440	1	100.0911.18
275	grey	190	440	1	100.0725.18
300	grey	215	440	1	100.0726.18
400	grey	315	440	1	100.0728.18
450	grey	365	440	1	100.0729.18

*Other widths available on request*



## Divider set magnetic

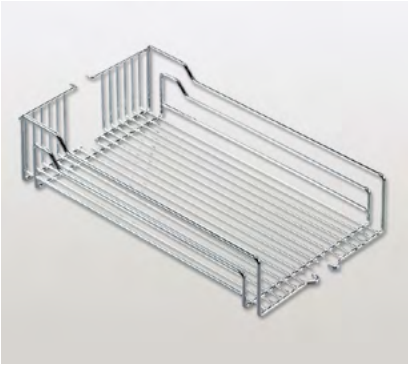
For Libell and Fiore shelves

- Can be attached to the shelf (base or side) or the non-slip mat

Set of 4 pieces

	Surface	Width	Depth	Height	Art. No.
	white	85	26 / 3	90	100.1121.51
	grey	85	26 / 3	90	100.1121.52
	anthracite	85	26 / 3	90	100.1121.43





### Clip-on basket Excellent

To clip onto the tubular frame Hochschrank Standard

- Raised border rail prevents products from falling out

Unit width	Surface	Width	Depth	Height	Art. No.
300	chrome	250	467	110	100.0188.05
400	chrome	350	467	110	100.0189.05



### Clip-on tray

To clip onto the tubular frame Hochschrank Standard

- With drill pilot holes for border rails that can be screwed in place

Unit width	Surface	Width	Depth	Height	Art. No.
300	white	250	460	65	100.0174.01
400	white	350	460	65	100.0178.01



### Border rails

To screw on to the clip-on trays Hochschrank Standard

- Includes self-tapping mounting screws

Two border rails are required for each tray.

Unit width	Surface	Width	Depth	Height	Art. No.
300	chrome	89	435	40	100.0194.05
400	chrome	152	435	40	100.0196.05



### Bottle partition

Can be clipped on to the border rail of clip-on trays Hochschrank Standard

For 300 mm-wide units = 8 compartments

For 400 mm-wide units = 12 compartments

Unit width	Surface	Width	Depth	Height	Art. No.
300	chrome	250	400		100.0272.05
400	chrome	350	400		100.0273.05



### Front bracket

For the tubular frame Hochschrank Standard

- With ClickFixx connection and 3-dimensional adjustment

Two-part set

Unit width	Surface	Width	Depth	Height	Art. No.
150 / 200	white	100			100.0892.01
150 / 200	silver	100			100.0892.02
150 / 200	anthracite	100			100.0892.43



### Front bracket

For the tubular frame Hochschrank Standard

- With ClickFixx connection and 3-dimensional adjustment

Two-part set

Unit width	Surface	Width	Depth	Height	Art. No.
275	white	225			100.0584.xx
300	silver	250			100.0585.xx
400 / 450	anthracite	350			100.0586.xx

Colour code .xx: 01 = white, 02 = silver, 43 = anthracite



### Front stabiliser

Boosts the stability of the front panel (a bracket is placed over the tubular frame and affixed to the front panel)

	Surface	Width	Depth	Height	Art. No.
	white				100.0142.01
	silver				100.0142.02
	anthracite				100.0142.43



### Extra hooks

For fully extended height-adjustable tubular frames

- Full use of the tubular frame

Two-part set

	Surface	Width	Depth	Height	Art. No.
	white			125	100.0163.01
	silver			125	100.0163.02
	anthracite			125	100.0163.43

# HOCHSCHRANK SWING LARDER PULL-OUT



The swivelling larder pull-out for kitchens, living rooms and offices



## CONFIGURATIONS



Libell shelves, silver



Basket Excellent, chrome

## DISTINGUISHING FEATURES



- All of the pull-out's shelves can be turned through 90° in either direction
- A practical, clearly laid-out solution for kitchens, living rooms and offices
- Great for storing small groceries and other items
- Excellent access from all sides
- The height-adjustable shelves help to make best use of the available space
- A full overview of the unit's contents with one easy movement
- Soft closing
- Moves smoothly and quietly
- ClickFixx assembly and easy adjustment

## OPTIONS

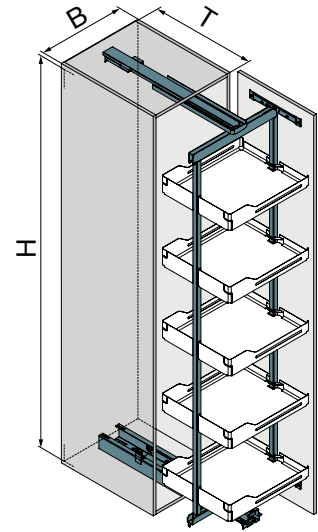
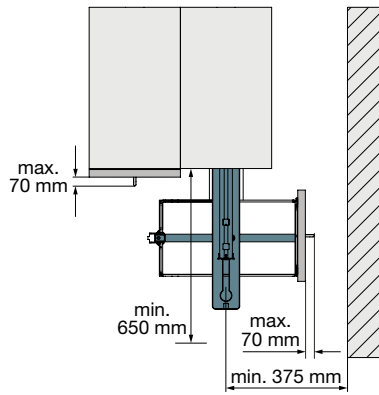


### Divider

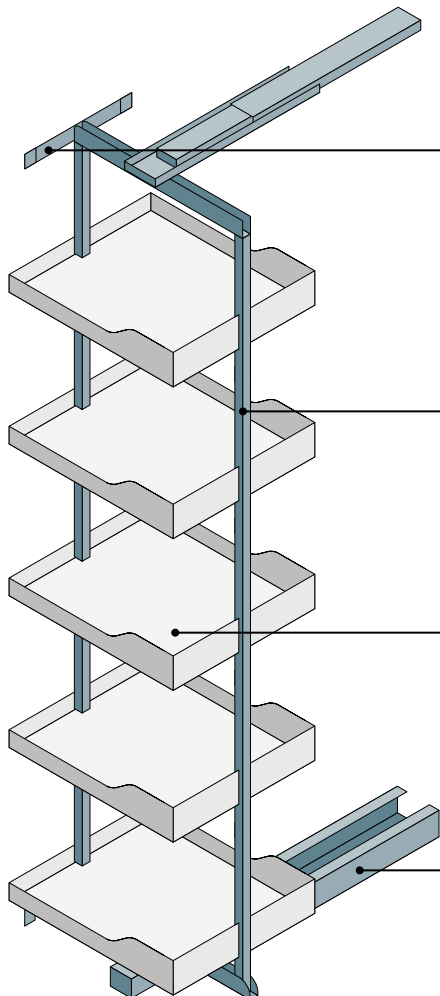
Magnetic dividers are a flexible way for you to organise the space on your Libell shelves and stop stored items from falling out of the unit.

## TECHNICAL ILLUSTRATION

<b>B= Unit widths</b>	200/275/300/400/450 mm
<b>T= Interior depth</b>	505 mm
<b>H= Interior height</b>	1200–2200 mm



## LIST OF COMPONENTS



### Assembly material

Front bracket, stabiliser → 1.46

### Tubular frames

Height-adjustable → 1.44

### Accessories

Clip-on shelf Libell → 1.44

Clip-on basket Excellent → 1.46

### Extension runner

Full-extension runner → 1.44



### Full-extension runner for Hochschrank Swing

For tubular frames Hochschrank Swing

- Includes Softclose
- Includes ClickFixx / quick assembly

Load capacity: 70 kg

	Surface	Width	Depth	Height	Art. No.
	silver	120	490	124	100.0582.02



### Height-adjustable tubular frame for Hochschrank Swing

For full-extension runner Hochschrank Swing

- Includes Softclose
- Includes ClickFixx / quick assembly

Interior height = Height of tubular frame + Height of extension runner

Interior height	Surface	Width	Depth	Height	Art. No.
1800 - 2000	silver		495	1676 - 1876	100.0603.02
2000 - 2200	silver		495	1876 - 2076	100.0604.02

Other heights available on request



### Clip-on shelf set Libell

To clip onto the tubular frame Hochschrank Swing

Set of 5 pieces

Unit width	Surface	Width	Depth	Height	Art. No.
200	silver	150	468	92	100.1123.12
275	silver	225	468	92	100.1125.12
300	silver	250	468	92	100.1126.12
400	silver	350	468	92	100.1127.12
450	silver	400	468	92	100.1128.12



### Clip-on shelf Libell

To clip onto the tubular frame Hochschrank Swing

Unit width	Surface	Width	Depth	Height	Art. No.
200	silver	150	468	92	100.1110.12
275	silver	225	468	92	100.1106.12
300	silver	250	468	92	100.1107.12
400	silver	350	468	92	100.1108.12
450	silver	400	468	92	100.1109.12



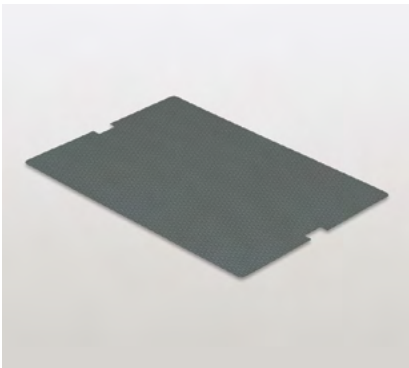


### Non-slip mat magnetic Libell

For the Libell clip-on shelf for Hochschrank Swing

- Magnetic
- Easy to remove for cleaning

Unit width	Surface	Width	Depth	Height	Art. No.
200	oyster white	105	390	0.5	200.1278.57
275	oyster white	180	415	0.5	100.0698.57
300	oyster white	205	415	0.5	100.0699.57
400	oyster white	305	415	0.5	100.0701.57
450	oyster white	355	415	0.5	200.1365.57

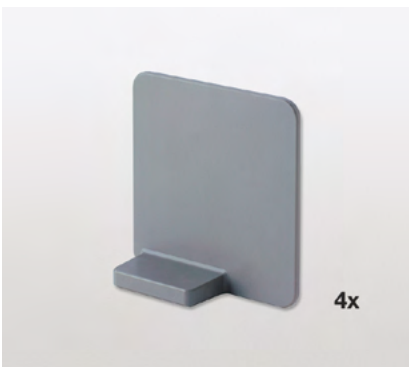


### Non-slip mat Standard

For the Libell clip-on shelf for Hochschrank Swing

- Gummed on both sides
- Raised diamond pattern
- Easy to remove for cleaning

Unit width	Surface	Width	Depth	Height	Art. No.
200	grey	115	440	1	100.0911.18
257	grey	190	440	1	100.0725.18
300	grey	215	440	1	100.0726.18
400	grey	315	440	1	100.0728.18
450	grey	365	440	1	100.0729.18



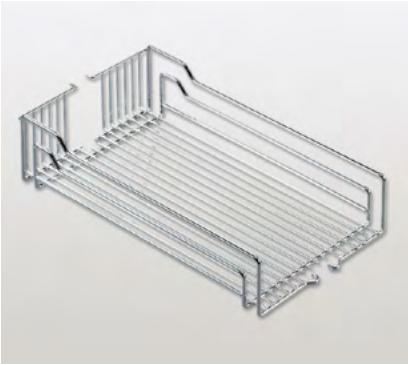
### Divider set magnetic

For Libell and Fiore shelves

- Can be attached to the shelf (base or side) or the non-slip mat

Set of 4 pieces

	Surface	Width	Depth	Height	Art. No.
	grey	85	26 / 3	90	100.1121.52



### Clip-on basket Excellent

To clip onto the tubular frame Hochschrank Swing

- Raised border rail prevents products from falling out

Unit width	Surface	Width	Depth	Height	Art. No.
300	chrome	250	467	110	100.0188.05
400	chrome	350	467	110	100.0189.05



### Front bracket

For the tubular frame Hochschrank Swing

- With ClickFixx connection and 3-dimensional adjustment

Two-part set

Unit width	Surface	Width	Depth	Height	Art. No.
200	silver	100			100.0892.02



### Front bracket

For the tubular frame Hochschrank Swing

- With ClickFixx connection and 3-dimensional adjustment

Two-part set

Unit width	Surface	Width	Depth	Height	Art. No.
300	silver	250			100.0585.02
400	silver	350			100.0586.02



### Front stabiliser

Boosts the stability of the front panel (a bracket is placed over the tubular frame and affixed to the front panel)

	Surface	Width	Depth	Height	Art. No.
	silver				100.0142.02



# HOCHSCHRANK BOX LARDER PULL-OUT

Basic pull-out for custom units



## CONFIGURATIONS



Individual wooden cabinets

## DISTINGUISHING FEATURES



- Stylish pull-out for wooden units
- For use in all sorts of custom units: medicine cabinets, display cases, wardrobes, under-stairs cupboards, media centres... the possibilities are endless!
- Smooth, stable pull-out
- Softclose can be retrofitted

## OPTIONS

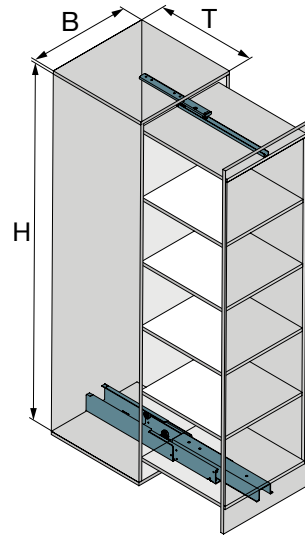


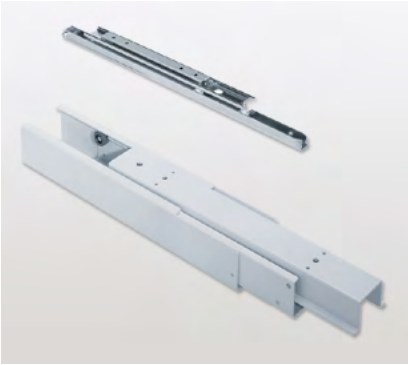
### Softclose

Soft-closing mechanism for smooth closing.

## TECHNICAL ILLUSTRATION

<b>B= Unit widths</b>	≥ 150 mm
<b>T= Interior depth</b>	400-1010 mm
<b>H= Interior height</b>	600-2000 mm





### Full-extension runner for Hochschrank Box

For wooden cabinets

- May be used for various widths (minimum 110 mm), depths and heights
- With automatic tolerance compensation in the upper runner
- Softclose can be retrofitted

Load capacity: 150 kg = 390 – 600 mm depth

Load capacity: 120 kg = 700 – 1000 mm depth

	Surface	Width	Depth	Height	Art. No.
	white	107	390	128	100.0378.01
	white	107	450	128	100.0091.01
	white	107	490	128	100.0092.01
	white	107	530	128	100.0094.01
	zinc plated	107	600	128	100.0095.04
	zinc plated	107	700	128	100.0096.04
	zinc plated	107	800	128	100.0097.04
	zinc plated	107	900	128	100.0098.04
	zinc plated	107	1000	128	100.0089.04



### Softclose

For full-extension runner Hochschrank Box

- Can be retrofitted, installed under the unit top

	Surface	Width	Depth	Height	Art. No.
	zinc plated	23		28	100.0409.04



# BASE UNITS

Overview

Extendo  
Kitchen Tower  
Snello  
Slim

Kobra  
Drawer accessories  
Base unit accessories





### Extendo

The flexible pull-out shelf that is right at home anywhere

→ 2.05



### Kitchen Tower

The versatile, modern base unit pull-out for kitchens and cleaning cupboards

→ 2.23



### Snello

The space-saving pull-out system for compact kitchens

→ 2.27



### Kobra

The universal basket pull-out for kitchen and housekeeping applications

→ 2.39



### Drawer accessories

Practical drawer organisation systems

→ 2.43



### Base unit accessories

Handy helpers for base units

→ 2.47



## Slim

The sturdy base unit pull-out for kitchens and the home

→ 2.33

# ORGANISATION IS HALF THE BATTLE!

An organised base unit – whatever its width – makes your day-to-day work a lot easier. Innovative solutions are available for any type of unit.

## BASE UNITS SYSTEM COMPARISON

	Unit width 150 mm	Unit width 180 mm	Unit width 200 mm	Unit width 250 mm	Unit width 300 mm	Unit width 400 mm	Unit width 450 mm	Unit width 500 mm	Unit width 550 mm	Unit width 600 mm	Unit width 900 mm	Custom widths	Base-mounted (for units of any width)	Front pull-out	For units with hinged doors	For sliding doors	For barrier-free living	
<b>Extendo</b>							•	•	•	•	•	•			•	•	•	→ 2.05
<b>Kitchen Tower</b>							•			•			•		•		•	→ 2.23
<b>Snello</b>	•		•		•									•				→ 2.27
<b>Slim</b>	•	•		•	•	•								•				→ 2.33
<b>Kobra</b>					•	•	•	•	•	•					•	•	•	→ 2.39



# EXTENDO PULL-OUT SHELF

The flexible pull-out shelf that is right at home anywhere



## CONFIGURATIONS



Extendo Libell, white



Extendo Libell, silver



Extendo Libell, anthracite



Extendo Fioro, anthracite

## DISTINGUISHING FEATURES



- Compatible with any kind of unit – even units with hinged doors or no doors at all
- Easy front access and a complete overview of contents when fully extended
- Great for storing tableware, pots and groceries



- Uses every last inch of space in the unit
- Shelves can be fully extended
- Can be fitted in any unit, whatever the width
- The metal shelves are extremely stable, even when they are very wide



- The shelves' rounded corners and edges make them easy to clean
- Compatible with all standard drawer runners



- The Click Stop locking mechanism prevents Extendo pull-out shelves from rolling back into the unit too soon



- Handmade oak boxes of various sizes for storing and organising small items
- You can stack and rearrange them however you like

## OPTIONS



### Adjustable extra shelves

These magnetic extra shelves can simply be placed on top of the shelves, and their angle can be adjusted. A practical solution that provides extra space for items like pot lids.



### Non-slip mat

The non-slip mat stops the unit's contents from sliding around.



### Divider

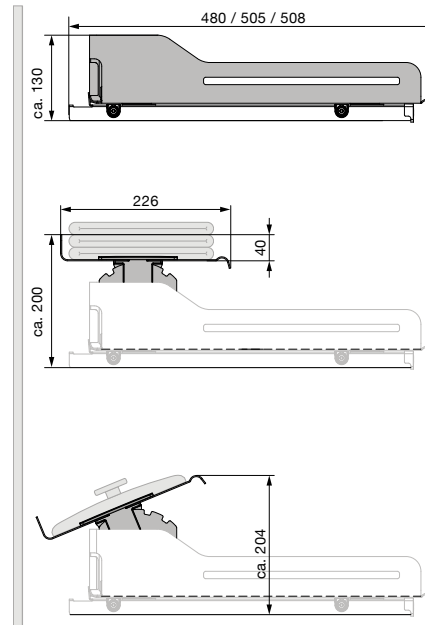
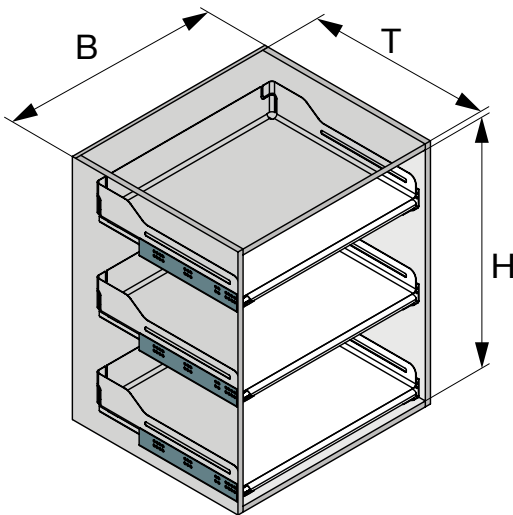
Magnetic dividers are a flexible way for you to organise the space on your shelves and stop stored items from falling out of the unit.



### Click Stop for Extendo

The Locking mechanism for pull-outs Click Stop temporarily transforms a movable pull-out shelf into a fixed work surface.

## TECHNICAL ILLUSTRATION



<b>B= Unit widths</b>	450/500/550/600/900 mm
<b>T= Interior depth</b>	480 mm (without spacer, with adapter set for drawer runner Blum Legrabox) 505 mm (without spacer, with universal adapters) 508 mm (with spacer)
<b>H= Interior height</b>	See the illustration at the top right

## EXTENDO LIBELL FOR UNITS WITHOUT DOORS

Pull-out

2



### Extendo Libell Universal pull-out shelf

Shelf without spacer for concealed extension runners (excl. Blum Legrabox)

- Suitable for use in open shelf units or as an internal pull-out behind front pull-outs, sliding doors or hinged doors with concealed hinges

Set includes:

- 1 Extendo Libell shelf
- 1 set of universal adapters for drawer runners of Blum, Grass, Hettich, etc. with a nominal length of 450 mm (excl. Blum Legrabox)
- 2 door deflectors

Unit width	Surface	Width	Depth	Height	Art. No.
450	white	400	505	96	200.1311.xx
500		450	505	96	200.1313.xx
550	silver	500	505	96	200.1315.xx
600	anthracite	550	505	96	200.1317.xx
900		850	505	96	200.1323.xx

Colour code .xx: 01 = white, 12 = silver, 43 = anthracite | Height = shelf height without adapter  
Other widths available on request



### Extendo Libell Legrabox pull-out shelf

Shelf without spacer for drawer runner Blum Legrabox

- Suitable for use in open shelf units or as an internal pull-out behind front pull-outs, sliding doors or hinged doors with concealed hinges

Set includes:

- 1 Extendo Libell shelf
- 1 adapter set for drawer runner Blum Legrabox (nominal length 450 mm)
- 2 door deflectors

Unit width	Surface	Width	Depth	Height	Art. No.
450	white	400	480	96	200.1980.xx
500		450	480	96	200.1981.xx
550	silver	500	480	96	200.1982.xx
600	anthracite	550	480	96	200.1983.xx
900		850	480	96	200.1985.xx

Colour code .xx: 01 = white, 12 = silver, 43 = anthracite | Height = shelf height without adapter  
Other widths available on request



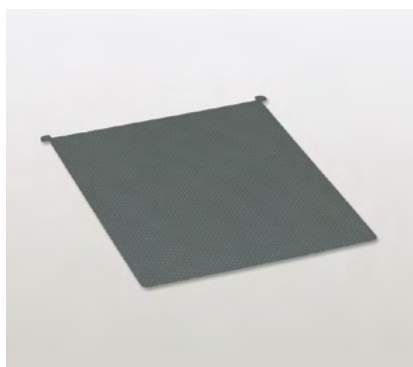
### Non-slip mat magnetic Libell

For Extendo Libell pull-out shelves without spacers

- Magnetic
- Easy to remove for cleaning

Unit width	Surface	Width	Depth	Height	Art. No.
450	oyster white	355	415	0.5	200.1365.57
500	oyster white	405	415	0.5	200.1367.57
550	oyster white	455	415	0.5	200.1369.57
600	oyster white	505	415	0.5	200.1280.57
900	oyster white	805	415	0.5	200.1281.57

Other widths available on request



### Non-slip mat Standard Libell

For Extendo Libell pull-out shelf without spacers

- Gummed on both sides
- Raised diamond pattern
- Easy to remove for cleaning

Unit width	Surface	Width	Depth	Height	Art. No.
450	grey	377	432	1	200.1350.18
500	grey	427	432	1	200.1351.18
550	grey	477	432	1	200.1352.18
600	grey	527	432	1	200.1353.18
900	grey	827	432	1	200.1356.18

Other widths available on request



### Extra shelf

For Extendo pull-out shelves without spacers

- Magnetic - the magnetic feet stick to Extendo pull-out shelves
- Shelf can be placed in three different positions
- An extra level of storage for pot lids and similar

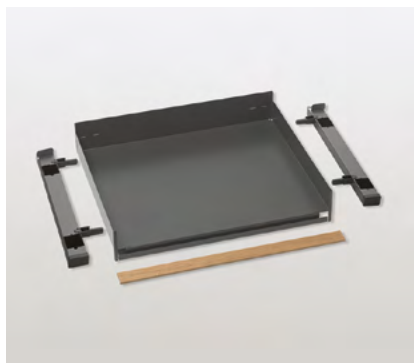
Unit width	Surface	Width	Depth	Height	Art. No.
550	white	485	226	160 / 164	200.1447.xx
600	silver	534	226	160 / 164	200.1449.xx
900	anthracite	834	226	160 / 164	200.1455.xx

Colour code .xx: 01 = white, 12 = silver, 43 = anthracite



## EXTENDO FIORO FOR UNITS WITHOUT DOORS

Pull-out



### Extendo Fioro Universal pull-out shelf, low rail

Shelf without spacer for concealed extension runners (excl. Blum Legrabox)

- Suitable for use in open shelf units or as an internal pull-out behind front pull-outs, sliding doors or hinged doors with concealed hinges

Set includes:

- 1 Extendo Fioro shelf
- 1 wooden rail oak low (height 35 mm)
- 1 set of universal adapters for drawer runners of Blum, Grass, Hettich, etc. with a nominal length of 450 mm (excl. Blum Legrabox)

Unit width	Surface	Width	Depth	Height	Art. No.
450	anthracite	400	505	94	200.1923.43
500	anthracite	450	505	94	200.1924.43
550	anthracite	500	505	94	200.1925.43
600	anthracite	550	505	94	200.1926.43
900	anthracite	850	505	94	200.1929.43

Height = shelf height without adapter | Other widths available on request



### Extendo Fioro Universal pull-out shelf, high rail

Shelf without spacer for concealed extension runners (excl. Blum Legrabox)

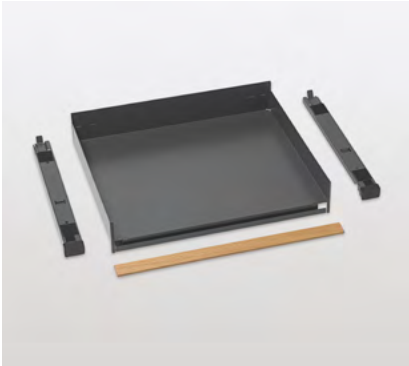
- Suitable for use in open shelf units or as an internal pull-out behind front pull-outs, sliding doors or hinged doors with concealed hinges

Set includes:

- 1 Extendo Fioro shelf
- 1 wooden rail oak high (height 87 mm)
- 1 set of universal adapters for drawer runners of Blum, Grass, Hettich, etc. with a nominal length of 450 mm (excl. Blum Legrabox)

Unit width	Surface	Width	Depth	Height	Art. No.
450	anthracite	400	505	94	200.1933.43
500	anthracite	450	505	94	200.1934.43
550	anthracite	500	505	94	200.1935.43
600	anthracite	550	505	94	200.1936.43
900	anthracite	850	505	94	200.1939.43

Height = shelf height without adapter | Other widths available on request



### Extendo Fioro Legrabox pull-out shelf, low rail

Shelf without spacer for drawer runner Blum Legrabox

- Suitable for use in open shelf units or as an internal pull-out behind front pull-outs, sliding doors or hinged doors with concealed hinges

Set includes:

- 1 Extendo Fioro shelf
- 1 wooden rail oak low (height 35 mm)
- 1 adapter set for drawer runner Blum Legrabox (nominal length 450 mm)

Unit width	Surface	Width	Depth	Height	Art. No.
450	anthracite	400	480	94	200.2053.43
500	anthracite	450	480	94	200.2054.43
550	anthracite	500	480	94	200.2055.43
600	anthracite	550	480	94	200.2056.43
900	anthracite	850	480	94	200.2059.43

Height = shelf height without adapter | Other widths available on request



### Extendo Fioro Legrabox pull-out shelf, high rail

Shelf without spacer for drawer runner Blum Legrabox

- Suitable for use in open shelf units or as an internal pull-out behind front pull-outs, sliding doors or hinged doors with concealed hinges

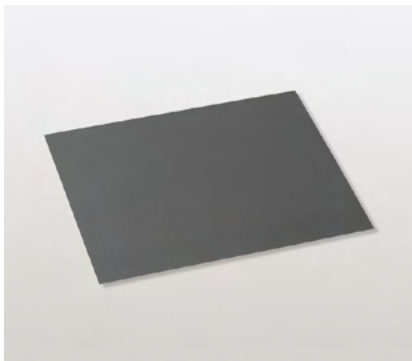
Set includes:

- 1 Extendo Fioro shelf
- 1 wooden rail oak high (height 87 mm)
- 1 adapter set for drawer runner Blum Legrabox (nominal length 450 mm)

Unit width	Surface	Width	Depth	Height	Art. No.
450	anthracite	400	480	94	200.2063.43
500	anthracite	450	480	94	200.2064.43
550	anthracite	500	480	94	200.2065.43
600	anthracite	550	480	94	200.2066.43
900	anthracite	850	480	94	200.2069.43

Height = shelf height without adapter | Other widths available on request





### Non-slip mat Standard Fiore

For Extendo Fiore pull-out shelves without spacers

- Gummed surface
- Raised diamond pattern
- Easy to remove for cleaning

Unit width	Surface	Width	Depth	Height	Art. No.
450	grey	396	456	1	200.1963.18
500	grey	446	456	1	200.1964.18
550	grey	496	456	1	200.1965.18
600	grey	546	456	1	200.1966.18
900	grey	846	456	1	200.1969.18

*Other widths available on request*



### Extra shelf

For Extendo pull-out shelves without spacers

- Magnetic - the magnetic feet stick to Extendo pull-out shelves
- Shelf can be placed in three different positions
- An extra level of storage for pot lids and similar

Unit width	Surface	Width	Depth	Height	Art. No.
550	anthracite	485	226	160 / 164	200.1447.43
600	anthracite	534	226	160 / 164	200.1449.43
900	anthracite	834	226	160 / 164	200.1455.43

## EXTENDO LIBELL FOR UNITS WITH HINGED DOORS



### Extendo Libell Universal pull-out shelf

Shelf with spacer for concealed extension runners (excl. Blum Legrabox)

- Suitable for standard hinged doors or sliding doors

Set includes:

- 1 Extendo Libell shelf
- 1 set of universal adapters for drawer runners of Blum, Grass, Hettich, etc. with a nominal length of 450 mm (excl. Blum Legrabox)
- 1 spacer (900 mm sets include 2 spacers)
- 2 door deflectors

Unit width	Surface	Width	Depth	Height	Art. No.
450	white	375	508	96	200.1312.xx
500		425	508	96	200.1314.xx
550	silver	475	508	96	200.1316.xx
600	anthracite	525	508	96	200.1318.xx
900		800	508	96	200.1324.xx

Colour code .xx: 01 = white, 12 = silver, 43 = anthracite | Height = shelf height without adapter  
Other widths available on request



### Extendo Libell Legrabox pull-out shelf

Shelf with spacer for drawer runner Blum Legrabox

- Suitable for standard hinged doors or sliding doors

Set includes:

- 1 Extendo Libell shelf
- 1 adapter set for drawer runner Blum Legrabox (nominal length 450 mm)
- 1 spacer (900 mm sets include 2 spacers)
- 2 door deflectors

Unit width	Surface	Width	Depth	Height	Art. No.
450	white	375	508	96	200.2265.xx
500		425	508	96	200.2266.xx
550	silver	475	508	96	200.2267.xx
600	anthracite	525	508	96	200.2268.xx
900		800	508	96	200.2269.xx

Colour code .xx: 01 = white, 12 = silver, 43 = anthracite | Height = shelf height without adapter  
Other widths available on request



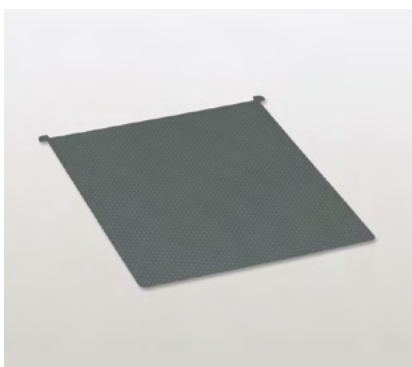
### Non-slip mat magnetic Libell

For Extendo Libell pull-out shelves with spacers

- Magnetic
- Easy to remove for cleaning

Unit width	Surface	Width	Depth	Height	Art. No.
450	oyster white	330	415	0.5	200.1364.57
500	oyster white	380	415	0.5	200.1366.57
550	oyster white	430	415	0.5	200.1368.57
600	oyster white	480	415	0.5	200.1370.57
900	oyster white	755	415	0.5	200.1375.57

Other widths available on request



### Non-slip mat Standard Libell

For Extendo Libell pull-out shelves with spacers

- Gummed on both sides
- Raised diamond pattern
- Easy to remove for cleaning

Unit width	Surface	Width	Depth	Height	Art. No.
450	grey	352	432	1	200.1383.18
500	grey	402	432	1	200.1384.18
550	grey	452	432	1	200.1385.18
600	grey	502	432	1	200.1386.18
900	grey	777	432	1	200.1389.18

Other widths available on request



### Extra shelf

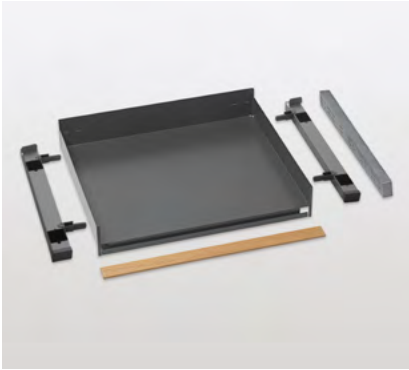
For Extendo Libell pull-out shelves with spacers

- Magnetic - the magnetic feet stick to Extendo pull-out shelves
- Shelf can be placed in three different positions
- An extra level of storage for pot lids and similar

Unit width	Surface	Width	Depth	Height	Art. No.
550	white	460	226	160 / 164	200.1448.xx
600	silver	510	226	160 / 164	200.1450.xx
900	anthracite	785	226	160 / 164	200.1456.xx

Colour code .xx: 01 = white, 12 = silver, 43 = anthracite

## EXTENDO FIORO FOR UNITS WITH HINGED DOORS



### Extendo Fioro Universal pull-out shelf, low rail

Shelf with spacer for concealed extension runners (excl. Blum Legrabox)

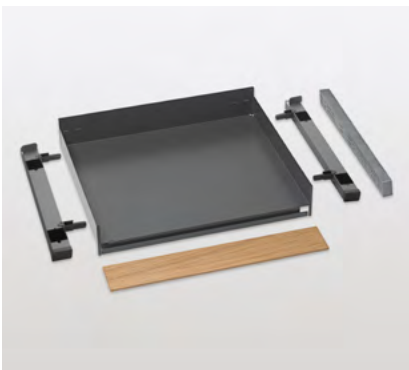
- Suitable for standard hinged doors or sliding doors

Set includes:

- 1 Extendo Fioro shelf
- 1 wooden rail oak low (height 35 mm)
- 1 set of universal adapters for drawer runners of Blum, Grass, Hettich, etc. with a nominal length of 450 mm (excl. Blum Legrabox)
- 1 spacer (900 mm sets include 2 spacers)

Unit width	Surface	Width	Depth	Height	Art. No.
450	anthracite	375	508	94	200.1843.43
500	anthracite	425	508	94	200.1844.43
550	anthracite	475	508	94	200.1845.43
600	anthracite	525	508	94	200.1846.43
900	anthracite	800	508	94	200.1849.43

Height = shelf height without adapter | Other widths available on request



### Extendo Fioro Universal pull-out shelf, high rail

Shelf with spacer for concealed extension runners (excl. Blum Legrabox)

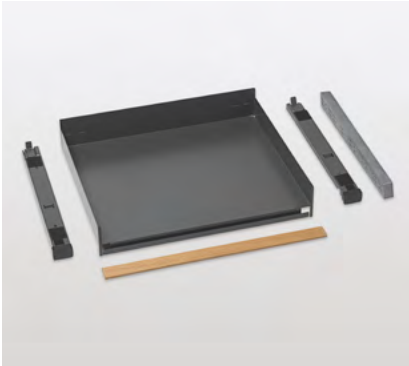
- Suitable for standard hinged doors or sliding doors

Set includes:

- 1 Extendo Fioro shelf
- 1 wooden rail oak high (height 87 mm)
- 1 set of universal adapters for drawer runners of Blum, Grass, Hettich, etc. with a nominal length of 450 mm (excl. Blum Legrabox)
- 1 spacer (900 mm sets include 2 spacers)

Unit width	Surface	Width	Depth	Height	Art. No.
450	anthracite	375	508	94	200.1853.43
500	anthracite	425	508	94	200.1854.43
550	anthracite	475	508	94	200.1855.43
600	anthracite	525	508	94	200.1856.43
900	anthracite	800	508	94	200.1859.43

Height = shelf height without adapter | Other widths available on request



### Extendo Fiore Legrabox pull-out shelf, low rail

Shelf with spacer for drawer runner Blum Legrabox

- Suitable for standard hinged doors or sliding doors

Set includes:

- 1 Extendo Fiore shelf
- 1 wooden rail oak low (height 35 mm)
- 1 adapter set for drawer runner Blum Legrabox (nominal length 450 mm)
- 1 spacer (900 mm sets include 2 spacers)

Unit width	Surface	Width	Depth	Height	Art. No.
450	anthracite	375	508	94	200.2023.43
500	anthracite	425	508	94	200.2024.43
550	anthracite	475	508	94	200.2025.43
600	anthracite	525	508	94	200.2026.43
900	anthracite	800	508	94	200.2029.43

Height = shelf height without adapter | Other widths available on request



### Extendo Fiore Legrabox pull-out shelf, high rail

Shelf with spacer for drawer runner Blum Legrabox

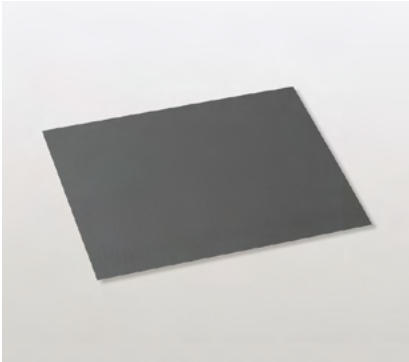
- Suitable for standard hinged doors or sliding doors

Set includes:

- 1 Extendo Fiore shelf
- 1 wooden rail oak high (height 87 mm)
- 1 adapter set for drawer runner Blum Legrabox (nominal length 450 mm)
- 1 spacer (900 mm sets include 2 spacers)

Unit width	Surface	Width	Depth	Height	Art. No.
450	anthracite	375	508	94	200.2033.43
500	anthracite	425	508	94	200.2034.43
550	anthracite	475	508	94	200.2035.43
600	anthracite	525	508	94	200.2036.43
900	anthracite	800	508	94	200.2039.43

Height = shelf height without adapter | Other widths available on request



### Non-slip mat Standard Fiore

For Extendo Fiore pull-out shelves with spacers

- Gummed surface
- Raised diamond pattern
- Easy to remove for cleaning

Unit width	Surface	Width	Depth	Height	Art. No.
450	grey	371	456	1	200.1891.18
500	grey	421	456	1	200.1892.18
550	grey	471	456	1	200.1893.18
600	grey	521	456	1	200.1894.18
900	grey	796	456	1	200.1897.18

*Other widths available on request*



### Extra shelf

For Extendo pull-out shelves with spacers

- Magnetic - the magnetic feet stick to Extendo pull-out shelves
- Shelf can be placed in three different positions
- An extra level of storage for pot lids and similar

Unit width	Surface	Width	Depth	Height	Art. No.
550	anthracite	460	226	160 / 164	200.1448.43
600	anthracite	510	226	160 / 164	200.1450.43
900	anthracite	785	226	160 / 164	200.1456.43

## EXTENDO WITH CUSTOM WIDTHS

Pull-out

2



### Extendo Libell Complet Legrabox pull-out shelf

Shelf without spacer, including concealed extension runner Blum Legrabox

Set includes:

- 1 Extendo Libell shelf
- 1 adapter set for drawer runner Blum Legrabox
- 1 full-extension runner set Blum Legrabox (Nominal length 450 mm)
- 2 door deflectors

Interior width	Surface	Width	Depth	Height	Art. No.
238-567	white		505	135	200.1508.xx
567-867	silver anthracite		505	135	200.1509.xx

Colour code .xx: 01 = white, 12 = silver, 43 = anthracite



### Extendo Fiore Complet Legrabox pull-out shelf, low rail

Shelf without spacer, including concealed extension runner Blum Legrabox

Set includes:

- 1 Extendo Fiore shelf
- 1 wooden rail oak low (height 35 mm)
- 1 adapter set for drawer runner Blum Legrabox
- 1 full-extension runner set Blum Legrabox (Nominal length 450 mm)

Interior width	Surface	Width	Depth	Height	Art. No.
238-567	anthracite		505	133	200.2139.43
567-867	anthracite		505	133	200.2142.43



### Extendo Fiore Complet Legrabox pull-out shelf, high rail

Shelf without spacer, including concealed extension runner Blum Legrabox

Set includes:

- 1 Extendo Fiore shelf
- 1 wooden rail oak high (height 87 mm)
- 1 adapter set for drawer runner Blum Legrabox
- 1 full-extension runner set Blum Legrabox (Nominal length 450 mm)

Interior width	Surface	Width	Depth	Height	Art. No.
238-567	anthracite		505	133	200.2140.43
567-867	anthracite		505	133	200.2143.43





### Non-slip mat magnetic Libell

For Extendo Libell pull-out shelves with custom widths

- Magnetic
- Easy to remove for cleaning

Interior width	Surface	Width	Depth	Height	Art. No.
238-867	oyster white		415	0.5	200.2144.57
238-867	walnut grey		415	0.5	200.2144.56



### Non-slip mat Standard Fiore

For Extendo Fiore pull-out shelves with custom widths

- Gummed surface
- Raised diamond pattern
- Easy to remove for cleaning

Interior width	Surface	Width	Depth	Height	Art. No.
238-867	grey		443	1	200.2145.18



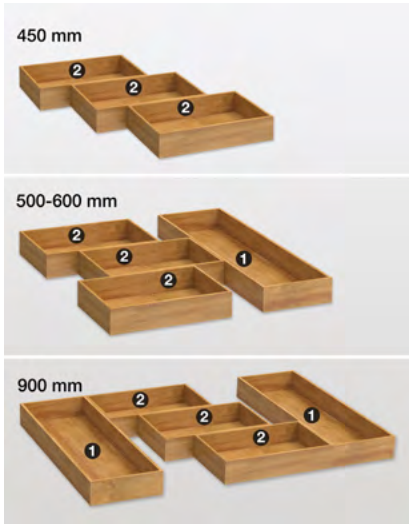
### Extra shelf

For Extendo pull-out shelves with spacers

- Magnetic - the magnetic feet stick to Extendo pull-out shelves
- Shelf can be placed in three different positions
- An extra level of storage for pot lids and similar

Interior width	Surface	Width	Depth	Height	Art. No.
238-867	white		226	160 / 164	200.2114.01
238-867	silver		226	160 / 164	200.2114.12
238-867	anthracite		226	160 / 164	200.2114.43

## GENERAL ACCESSORIES FOR EXTENDO



### Wooden box sets “low” Extendo

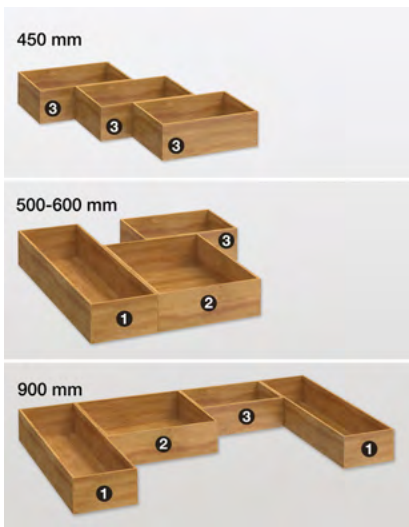
For Extendo pull-out shelf

The sets contain combinations of following box types, as shown in the illustrations:

- #1 - long, low-sided box (446 x 150 x 50 mm)
- #2 - small, low-sided box (247 x 148 x 50 mm)

Including metal fasteners to connect the boxes

Unit width	Surface	Width	Depth	Height	Art. No.
450	Light oak				200.1677.36
500 - 600	Light oak				200.1675.36
900	Light oak				200.1673.36



### Wooden box sets “high” Extendo

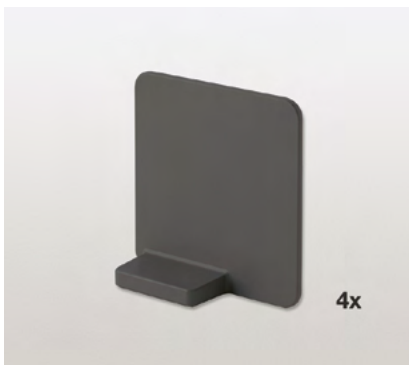
For Extendo pull-out shelf

The sets contain combinations of following box types, as shown in the illustrations:

- #1 - long, high-sided box (446 x 150 x 87 mm)
- #2 - large, high-sided box (247 x 296 x 87 mm)
- #3 - small, high-sided box (247 x 148 x 87 mm)

Including metal fasteners to connect the boxes

Unit width	Surface	Width	Depth	Height	Art. No.
450	Light oak				200.1678.36
500 - 600	Light oak				200.1676.36
900	Light oak				200.1674.36



### Divider set magnetic

For Libell and Fiore shelves

- Can be attached to the shelf (base or side) or the non-slip mat

Set of 4 pieces

	Surface	Width	Depth	Height	Art. No.
	white	85	26 / 3	90	100.1121.51
	grey	85	26 / 3	90	100.1121.52
	anthracite	85	26 / 3	90	100.1121.43



### Concealed extension runner Grass Dynapro

Full-extension runner for Extendo pull-out shelf

- With Softclose

Nominal length of the runner: 450 mm  
Load capacity: 40 kg

Set of 1 pair

	Surface	Width	Depth	Height	Art. No.
	zinc plated	52 / 52	450	49	200.1408.04



### Concealed extension runner Blum Legrabox

Full-extension runner for Extendo pull-out shelf

- With Softclose

Nominal length of the runner: 450 mm  
Load capacity: 40 kg

Set of 1 pair

	Surface	Width	Depth	Height	Art. No.
	zinc plated	57 / 57	450	50	200.1785.00



### Click Stop left

Locking mechanism for Extendo pull-out shelf and wooden pull-out shelves

- Can be retrofitted
- Compatible with Extendo pull-out shelves and standard sliding systems for wooden drawers

Set contains:

- 1 guiding cam for side walls
- 1 locking unit for pull-out shelves

Type	Surface	Width	Depth	Height	Art. No.
left	white	89	18	55	200.2154.01
left	anthracite	89	18	55	200.2154.43



### Click Stop right

Locking mechanism for Extendo pull-out shelf and wooden pull-out shelves

- Can be retrofitted
- Compatible with Extendo pull-out shelves and standard sliding systems for wooden drawers

Set contains:

- 1 guiding cam for side walls
- 1 locking unit for pull-out shelves

Type	Surface	Width	Depth	Height	Art. No.
right	white	89	18	55	200.2155.01
right	anthracite	89	18	55	200.2155.43



### Spacer piece

For Click Stop, when used with an Extendo pull-out shelf with spacer

- Can be fitted on the left or the right

	Surface	Width	Depth	Height	Art. No.
	white	25	73	32	200.2223.21
	anthracite	25	73	32	200.2223.43


### Recommendation on using 1 or 2 Click Stops

<b>Shelf pull-out ≤ 500 mm</b>	1 Click Stop, to be fitted on the left or the right
<b>Shelf pull-out in corner unit</b>	1 Click Stop, to be fitted on the left or the right
<b>Other applications from 550 mm</b>	2 Click Stops (1 left, 1 right)

# KITCHEN TOWER BASE UNIT PULL-OUT

The versatile, modern base unit pull-out for kitchens and cleaning cupboards



 swiss made



## CONFIGURATIONS



Kitchen Tower 600  
(white, silver, anthracite)



Kitchen Tower 450  
(white, silver, anthracite)

## DISTINGUISHING FEATURES



- Compact design for efficiently storing your most-used kitchen utensils in one place
- Glides out of the unit automatically when you open the door
- An excellent overview and access to unit contents from three sides

- Removable dispenser with a transparent lid for storing spices or small, loose items
- Special sections for kitchen knives, wooden spoons and chopping boards

- A stable, durable system designed for daily use
- Can be mounted on the right or left, making it especially user-friendly

## OPTIONS



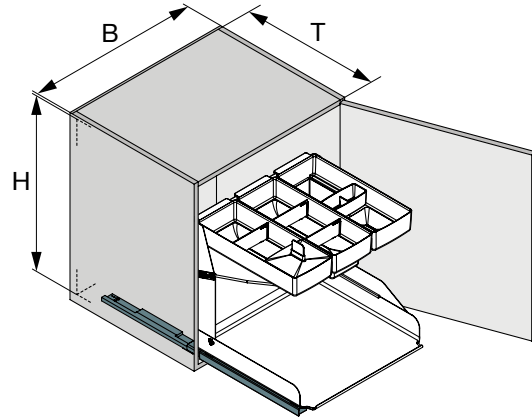
### Divider

Extra magnetic dividers for organising and arranging the storage space on the bottom shelf

## TECHNICAL ILLUSTRATION

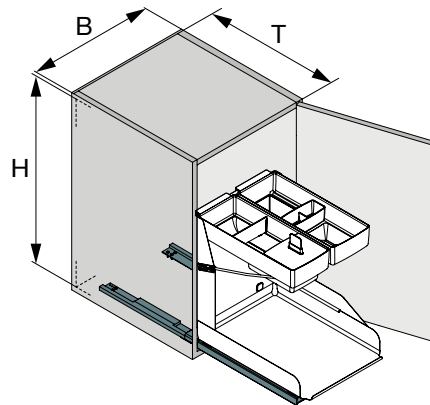
### Kitchen Tower 600

<b>B= Unit widths</b>	600 mm
<b>T= Interior depth</b>	500 mm
<b>H= Interior height</b>	560 mm

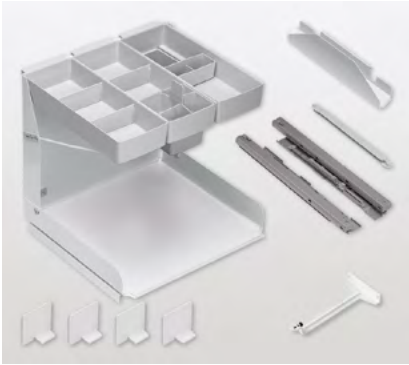


### Kitchen Tower 450

<b>B= Unit widths</b>	450 mm
<b>T= Interior depth</b>	500 mm
<b>H= Interior height</b>	560 mm







### Kitchen Tower type 600

Full base unit pull-out set for units with hinged doors

- Includes Softclose
- May be installed on the left or right

Set includes:

- 3 upper-level trays, incl. dividers and a 4-section spice dispenser \*
- 4 magnetic dividers
- 1 non-slip mat
- 1 chopping board holder
- 1 full-extension runner including Softclose
- 1 door fitting

Unit width	Surface	Width	Depth	Height	Art. No.
600	white	562 - 568	500	560	200.1787.21
600	silver	562 - 568	500	560	200.1787.12
600	anthracite	562 - 568	500	560	200.1787.43

\* Material: ABS, UV-resistant, food safe and dishwasher safe



### Kitchen Tower type 450

Full base unit pull-out set for units with hinged doors

- Includes Softclose
- May be installed on the left or right

Set includes:

- 2 upper-level trays, incl. dividers and a 4-section spice dispenser \*
- 2 magnetic dividers
- 1 non-slip mat
- 1 chopping board holder
- 1 full-extension runner including Softclose
- 1 door fitting

Unit width	Surface	Width	Depth	Height	Art. No.
450	white	412 - 418	500	560	200.1786.21
450	silver	412 - 418	500	560	200.1786.12
450	anthracite	412 - 418	500	560	200.1786.43

\* Material: ABS, UV-resistant, food safe and dishwasher safe

# SNELLO BASE UNIT PULL-OUT

The space-saving pull-out system for compact kitchens



## CONFIGURATIONS



Base unit pull-out, Libell  
(white, silver, anthracite)



Base unit pull-out, Fiore  
(anthracite)

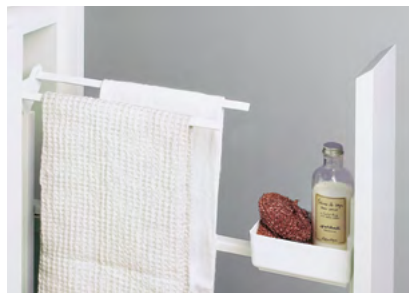


Towel rail extension, Libell  
(white, silver, anthracite)



Towel rail extension, Fiore  
(anthracite)

## DISTINGUISHING FEATURES



- Special pull-out for narrow base units (150 – 300 mm)
- Great for storing spices, cleaning materials or bottles

- Makes optimal use of space in small kitchens
- Includes a towel rail and a handy plastic container for cloths and sponges
- A great solution for those small spaces around the sink or cooker

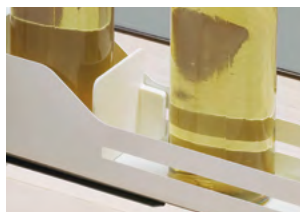
- The shelves are easy to remove for cleaning
- The shelves' closed bases stop bottles from toppling and small items from falling through
- Moves smoothly and quietly

## OPTIONS



### Non-slip mat

This non-slip mat stops the unit's contents from sliding around.



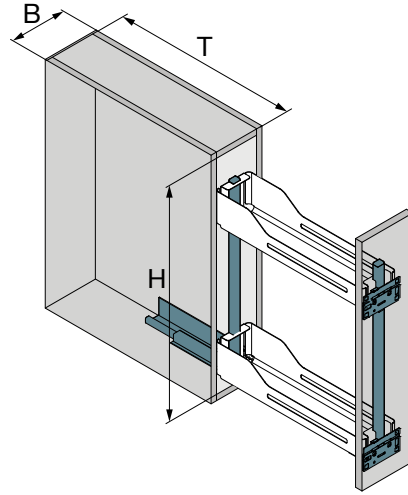
### Divider

Magnetic dividers are a flexible way for you to organise the space in your unit and stop bottles from toppling.

## TECHNICAL ILLUSTRATION

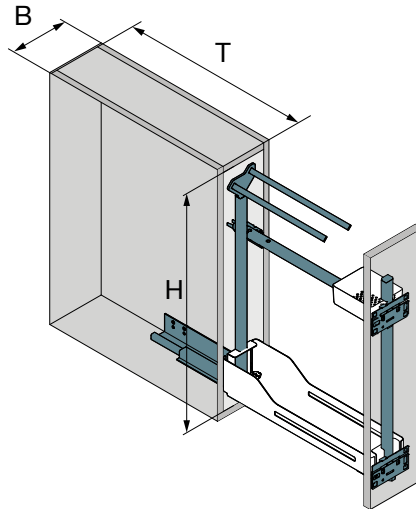
### Snello base unit pull-out

<b>B= Unit widths</b>	150/200/300 mm
<b>T= Interior depth</b>	475 mm
<b>H= Interior height</b>	520 mm



### Snello towel rail extension

<b>B= Unit widths</b>	150 mm
<b>T= Interior depth</b>	475 mm
<b>H= Interior height</b>	660 mm





## Snello Libell base unit pull-out

Base unit full-extension pull-out Comfort

- Includes 2 clip-on shelves Libell
- Including Softclose (top and bottom)

Load capacity type 150/200: 15 kg

Load capacity type 300: 20 kg

Unit width	Surface	Width	Depth	Height	Art. No.
150	white	110	475	520	200.1273.xx
200	silver	160	475	520	200.1276.xx
300	anthracite	260	475	520	200.1283.xx

Colour code .xx: 01 = white, 12 = silver, 43 = anthracite



## Snello Libell towel rail extension

Base unit full-extension pull-out Standard

- Includes 1 clip-on shelf Libell
- Hand-towel rail with non-slip coating
- Includes a container for small utensils
- Includes Softclose (bottom)

Load capacity: 15 kg

Unit width	Surface	Width	Depth	Height	Art. No.
150	white	110	475	660	200.1809.01
150	silver	110	475	660	200.1809.12
150	anthracite	110	475	660	200.1809.43



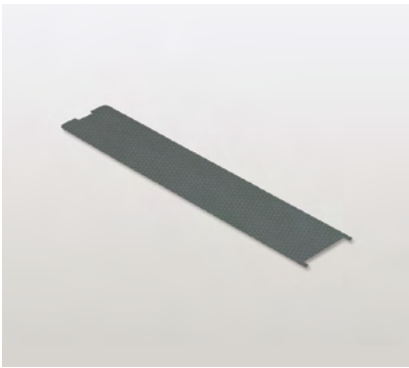
## Non-slip mat magnetic Libell

For Snello Libell base unit full-extension pull-out

- Magnetic
- Easy to remove for cleaning

Unit width	Surface	Width	Depth	Height	Art. No.
150	oyster white	67	390	0.5	200.1277.57
200	oyster white	105	390	0.5	200.1278.57
300	oyster white	205	390	0.5	200.1279.57





### Non-slip mat Standard Libell

For Snello Libell base unit full-extension pull-out

- Gummed on both sides
- Raised diamond pattern
- Easy to remove for cleaning

Unit width	Surface	Width	Depth	Height	Art. No.
150	grey	79	418	1	200.1331.18
200	grey	129	418	1	200.1332.18
300	grey	229	418	1	200.1333.18



### Snello Fiore base unit pull-out

Base unit full-extension pull-out Comfort

- Includes 2 clip-on shelves Fiore
- Includes 4 wooden rails oak high (height 87 mm)
- Includes Softclose (top and bottom)

Load capacity type 150/200: 15 kg  
Load capacity type 300: 20 kg

Unit width	Surface	Width	Depth	Height	Art. No.
150	anthracite	110	475	520	200.1864.43
200	anthracite	160	475	520	200.1865.43
300	anthracite	260	475	520	200.1866.43



### Snello Fiore towel rail extension

Base unit full-extension pull-out Standard

- Includes 1 clip-on shelf Fiore
- Includes 2 wooden rails oak high (height 87 mm)
- Hand-towel rail with non-slip coating
- Includes a container for small utensils
- Includes Softclose (bottom)

Load capacity: 15 kg

Unit width	Surface	Width	Depth	Height	Art. No.
150	anthracite	110	475	660	200.1867.43



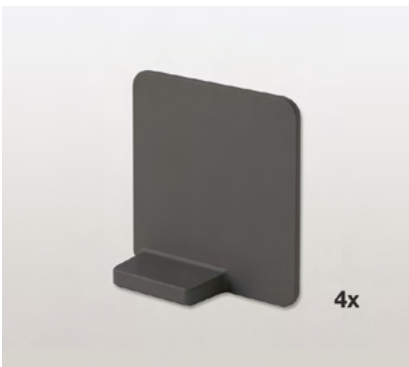


### Non-slip mat Standard Fiore

For Snello Fiore base unit full-extension pull-out

- Gummed on both sides
- Raised diamond pattern
- Easy to remove for cleaning

Unit width	Surface	Width	Depth	Height	Art. No.
150	grey	83	431	1	200.1900.18
200	grey	133	431	1	200.1901.18
300	grey	233	431	1	200.1902.18



### Divider set magnetic

For Libell and Fiore shelves

- Can be attached to the shelf (base or side) or the non-slip mat

Set of 4 pieces

	Surface	Width	Depth	Height	Art. No.
	white	85	26 / 3	90	100.1121.51
	grey	85	26 / 3	90	100.1121.52
	anthracite	85	26 / 3	90	100.1121.43

# SLIM BASE UNIT PULL-OUT

The sturdy base unit pull-out for kitchens and the home



## CONFIGURATIONS



Basket Excellent, chrome



Plastic tray, transparent

## DISTINGUISHING FEATURES



- Pull-out system available in three different heights
- Perfect for storing groceries, bottles and spices



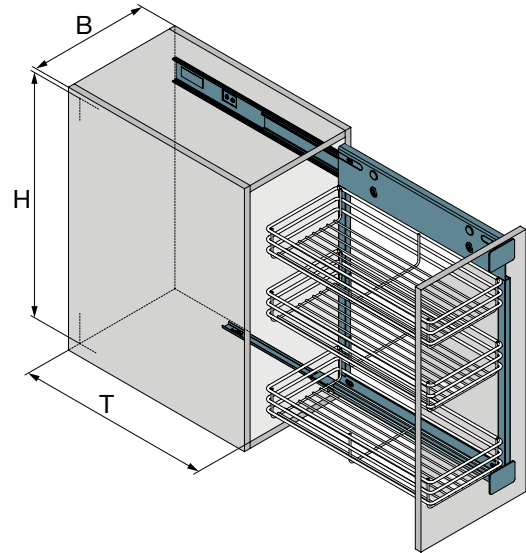
- Optimum use of space, with unit widths from 150 to 400 mm
- Clip-on trays of shatter-proof polycarbonate provide a clean space to store your bottles and spices



- Thanks to the clip system between frame and full extension runner, assembly is easy and tool-free
- Can be mounted on the left or right side of the unit

## TECHNICAL ILLUSTRATION

<b>B= Unit widths</b>	150/180/250/275/300/400 mm
<b>T= Interior depth</b>	470 mm
<b>H= Interior height</b>	485/610/680 mm





## Slim pull-out system

Tubular frame with full-extension runner

- Includes Softclose
- May be installed on the left or right

Minimum interior height:

Type 450 = 485 mm

Type 550 = 610 mm

Type 680 = 680 mm

Load capacity: 30 kg

Type	Surface	Width	Depth	Height	Art. No.
450	silver	24	470	473	200.0912.12
550	silver	24	470	600	200.0913.12
680	silver	24	470	670	200.0914.12



## Clip-on basket Excellent

To clip onto the tubular frame Slim

Unit width	Surface	Width	Depth	Height	Art. No.
180	chrome	110	470	75	100.0046.05
250	chrome	160	470	75	100.0048.05
275 / 300	chrome	210	470	75	100.0040.05
400	chrome	320	470	75	100.0055.05



## Clip-on tray

To clip onto the tubular frame Slim

- Transparent tray made from high-strength, shatter-proof polycarbonate
- Ideal for 150 mm-wide units

Unit width	Surface	Width	Depth	Height	Art. No.
150	transparent	102	470	68	200.0748.26



## Divider

Bottle grid, can be inserted into the clip-on trays Slim

Three-part set

	Surface	Width	Depth	Height	Art. No.
	chrome	96	4	100	200.0772.05



## Front bracket

For the tubular frame Slim

- Diagonally adjustable

Two-part set

	Surface	Width	Depth	Height	Art. No.
	silver				200.1111.12





# KOBRA BASKET PULL-OUT

The universal basket pull-out for kitchen and housekeeping applications



## CONFIGURATIONS



Basket, white

## DISTINGUISHING FEATURES



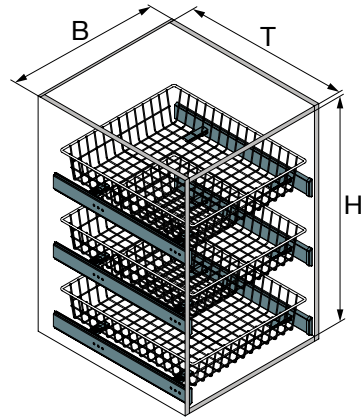
- Perfect for storing groceries, pots and pans or linens
- The baskets' high walls stop the stored items from toppling
- The wire mesh sides give a clear overview of the unit contents

- Integrated Softclose soft-closing mechanism
- Closes silently and automatically

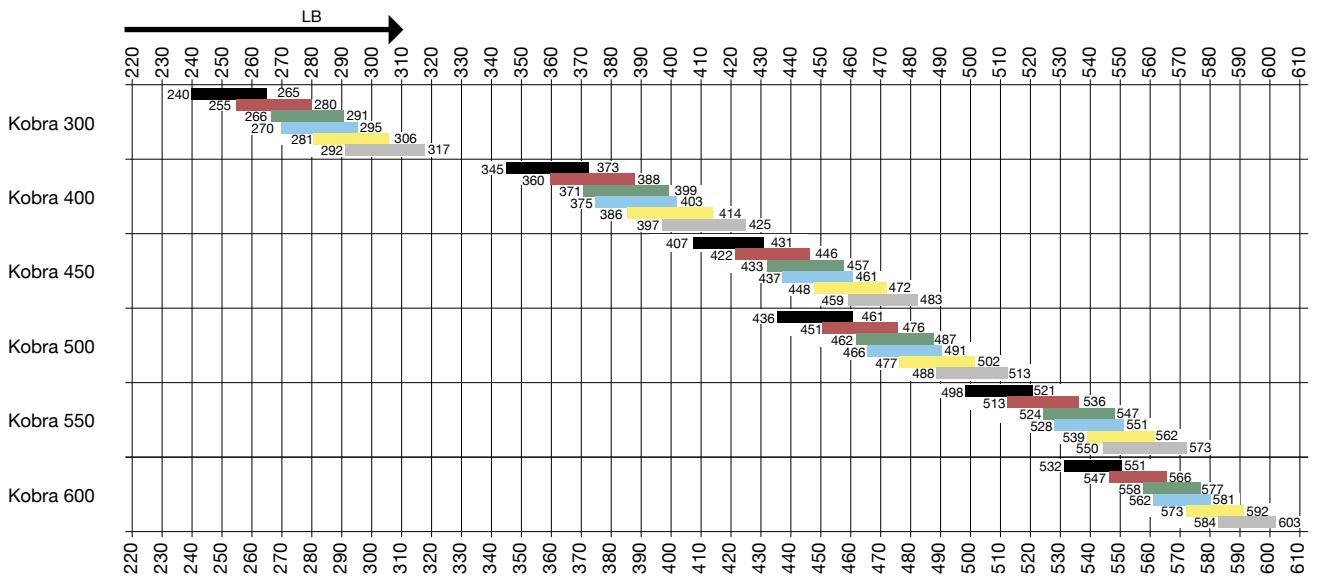
- The plastic door deflector prevents scratches to unit doors
- Width-adjustable for flexible installation
- Easy to retrofit

## TECHNICAL ILLUSTRATION

<b>B= Unit widths</b>	300/400/450/500/550/600 mm
<b>T= Interior depth</b>	510 mm (full-extension) 505 mm (single-extension)
<b>H= Interior height</b>	128 mm



Distanzbügel, Spacer, Etrier d'écartement, Distanciador	Black	Red	Green	Blue	Yellow	Grey
ohne, without, sans, sin	X					
15 mm		2		4	2	
26 mm			2		2	4





### Full-extension pull-out Kobra Plus 100

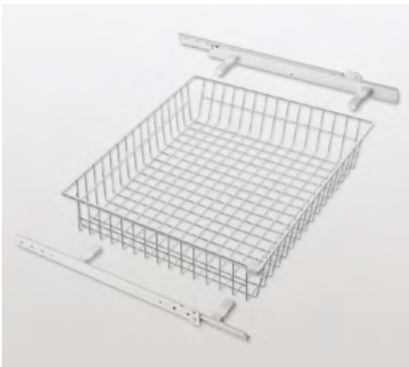
Width-adjustable pull-out basket system, height 100 mm

- Includes Softclose and self-closing mechanism
- Includes door deflector (fitted onto pull-out)

Minimum internal depth: 510 mm

Load capacity: 20 kg

Unit width	Surface	Width	Depth	Height	Art. No.
300	white	235	500	100	200.0922.71
400	white	330	500	100	200.0923.71
450	white	390	500	100	200.0924.71
500	white	430	500	100	200.0925.71
550	white	485	500	100	200.0926.71
600	white	530	500	100	200.0927.71



### Single-extension pull-out Kobra Single 100

Width-adjustable basket pull-out system, height 100 mm

- Includes door deflector (fitted onto basket)

Minimum internal depth: 505 mm

Load capacity: 20 kg

Unit width	Surface	Width	Depth	Height	Art. No.
300	white	235	500	100	200.0137.71
400	white	330	500	100	200.0142.71
450	white	390	500	100	200.0146.71
500	white	430	500	100	200.0150.71
550	white	485	500	100	200.0154.71
600	white	530	500	100	200.0158.71



### Spacer

For Kobra

- Suitable for 32 mm pre-drilled holes

	Surface	Width	Depth	Height	Art. No.
	white	15	75	30	200.0319.01
	white	26	75	30	200.0322.01



# DRAWER ACCESSORIES

Practical drawer organisation systems

2





## PRODUCT OVERVIEW



### Spider

This bottle rack can simply be clipped onto the left or right side of the back wall – no need for tools – and leaves plenty of room for pots, pans or other items.



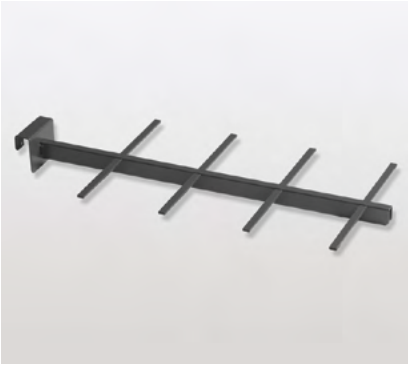
### Bottle basket

This portable bottle basket can be put in any drawer.



### Spice rack

This flat rack allows all kinds of spice containers to be stored neatly, even in shallow drawers.



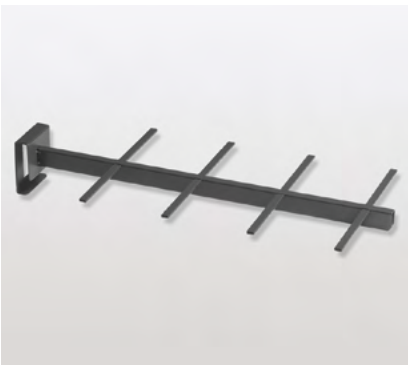
### Spider bottle partition (wooden back wall)

Bottle partition (double-row) for drawers with wooden back walls (16 mm)

- Clips onto back wall – no tools required

Unit width	Surface	Width	Depth	Height	Art. No.
275	white	175	435	44	200.1801.21
275	anthracite	175	435	44	200.1801.43

*silver available on request*



### Spider bottle partition (metal back wall)

Bottle partition (double-row) for Blum Tandembox, Intivo and Antaro drawers with metal back walls

- Clips onto back wall – no tools required

Unit width	Surface	Width	Depth	Height	Art. No.
275	white	175	433	61	200.1800.21
275	anthracite	175	433	61	200.1800.43

*silver available on request*

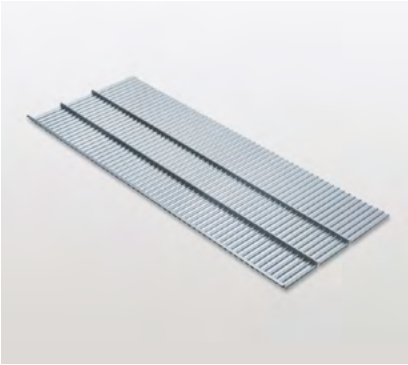


### Bottle basket

With 8 compartments, for drawers at least 275 mm wide

- Also suitable for Blum Tandembox antaro drawers

Unit width	Surface	Width	Depth	Height	Art. No.
275	white	191	410	310	200.1490.01
275	chrome	191	410	310	200.1490.05
275	anthracite	191	410	310	200.1490.43



## Spice rack

Can be cut as required to fit drawer width

- Optimal storage of all spice containers. The flat surface of the rack means it can also be installed underneath glass ceramic hobs

Maximum length of spice containers:

1st row: 144 mm

2nd row: 144 mm


3rd row: 209 mm

	Surface	Width	Depth	Height	Art. No.
	white	1300	524	25	200.0747.01
	silver	1300	524	25	200.0747.02
	anthracite	1300	524	25	200.0747.43

# BASE UNIT ACCESSORIES

—  
Handy helpers for base units



 swiss made

## PRODUCT OVERVIEW



### Click Stop locking mechanism for pull-outs

Click Stop turns a movable pull-out shelf into a fixed work surface – and back again. The shelf automatically locks in place when fully extended. To unlock it, pull the shelf forward again and then slide it back into place.

Ideal as a pull-out shelf for your coffee machine, a desk for your home office, a laundry table, a presentation table, a food preparation space, a packing table or a changing table.



### Sesam Mini

A simple clip-on, closed-base shelf for storing small kitchen utensils or cleaning materials.



### Extending towel rail

With this extending towel rail, your bathroom or kitchen towels will always be within easy reach.



### Baking tray holder

This bracket allows you to store baking trays or chopping boards inside a unit without taking up too much space, for easy access at any time.



### Porter

Base-mounted pull-out for gas canisters, machines or bottle crates.



### Click Stop left

Locking mechanism for Extendo pull-out shelf and wooden pull-out shelves

- Can be retrofitted
- Compatible with Extendo pull-out shelves and standard sliding systems for wooden drawers

Set contains:

- 1 guiding cam for side walls
- 1 locking unit for pull-out shelves

Type	Surface	Width	Depth	Height	Art. No.
left	white	89	18	55	200.2154.01
left	anthracite	89	18	55	200.2154.43



### Click Stop right

Locking mechanism for Extendo pull-out shelf and wooden pull-out shelves

- Can be retrofitted
- Compatible with Extendo pull-out shelves and standard sliding systems for wooden drawers

Set contains:

- 1 guiding cam for side walls
- 1 locking unit for pull-out shelves

Type	Surface	Width	Depth	Height	Art. No.
right	white	89	18	55	200.2155.01
right	anthracite	89	18	55	200.2155.43



### Spacer piece

For Click Stop, when used with an Extendo pull-out shelf with spacer

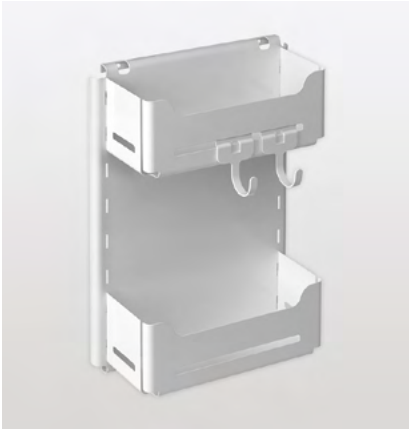
- Can be fitted on the left or the right

	Surface	Width	Depth	Height	Art. No.
	white	25	73	32	200.2223.21
	anthracite	25	73	32	200.2223.43

### Recommendation on using 1 or 2 Click Stops

<b>Shelf pull-out ≤ 500 mm</b>	1 Click Stop, to be fitted on the left or the right
<b>Shelf pull-out in corner unit</b>	1 Click Stop, to be fitted on the left or the right
<b>Other applications from 550 mm</b>	2 Click Stops (1 left, 1 right)





## Sesam Mini

Multi-purpose shelf system

- The ideal place to store small utensils thanks to the high, closed trays
- Can be fixed to the right or left wall
- Modular system, so the shelves are height-adjustable

Set containing:

- 1 shelf system
- 2 clip-on shelves
- 2 clip-on hooks

	Surface	Width	Depth	Height	Art. No.
	white	121	278	434	600.0380.01
	silver	121	278	434	600.0380.12
	anthracite	121	278	434	600.0380.43



## Towel rail extension

2 or 3 arms

- Can be positioned at any angle
- With cover plate

May be mounted on the side wall, on the left or right  
Length of runner: 480 mm

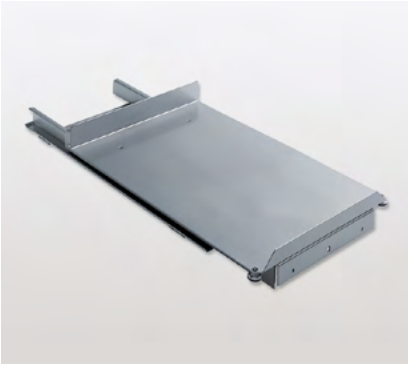
Arms	Surface	Width	Depth	Height	Art. No.
2	mat chromed	105	495		600.0317.09
3	mat chromed	145	495		600.0316.09



## Baking tray and chopping board holder

To be mounted on the base of the unit in open cupboards, behind doors or on the base of the pull-out

	Surface	Width	Depth	Height	Art. No.
	chrome	80	300	250	600.0008.05



### Porter

Standard pull-out for bottle crates

- Integrated deflector wheels on left and right
- Mounted on the base of the unit

Load capacity: 100 kg

	Surface	Width	Depth	Height	Art. No.
	silver	279	500	46 / 85	200.0395.02



### Porter Basic

Standard-extension pull-out for base unit wooden cabinets

- Mounted on the base of the unit

Load capacity: 100 kg

	Surface	Width	Depth	Height	Art. No.
	zinc plated	120	500	44	100.0265.04
	zinc plated	215	500	44	100.0268.04



# WASTE DISPOSAL

Overview

Oeko Complet

Oeko FreezyBoy Complet

Oeko Universal

Oeko FreezyBoy Universal

Müllboy Standard

Müllboy Big





### Oeko Complet

The hard-wearing complete system for household waste sorting

→ 3.05



### Oeko FreezyBoy Complet

The complete waste system with the chilled FreezyBoy organic waste bin for custom waste sorting

→ 3.11



### Oeko Universal

The flexible waste system for any drawer pull-out

→ 3.15



### Oeko FreezyBoy Universal

The flexible waste system with the Freezy-Boy chilled organic waste bin – compatible with all drawer pull-outs on the market

→ 3.29



### Müllboy Standard

The simple waste bin for compact kitchens

→ 3.35



### Müllboy Big

The super-sized round bin for practical kitchens

→ 3.41



## *THE MOST FREQUENTLY USED PIECE OF KITCHEN EQUIPMENT*

A well-designed waste system that is tailored to your needs makes it so much easier to work and clean in the kitchen.



## WASTE DISPOSAL SYSTEM COMPARISON

	Unit width 450 mm	Unit width 500 mm	Unit width 600 mm	Unit width 900 mm	Front pull-out	For units with hinged doors	Pedal and handle	Handle	1 bin	1-3 bins	1-5 bins	For barrier-free living	
<b>Oeko Complet</b>	•	•	•		•		•		•	•			→ 3.05
<b>Oeko FreezyBoy Complet</b>			•		•		•			•			→ 3.11
<b>Oeko Universal</b>	•	•	•	•	•		•		•		•		→ 3.15
<b>Oeko FreezyBoy Universal</b>			•		•		•			•			→ 3.29
<b>Müllboy Standard</b>	•	•	•			•		•	•			•	→ 3.35
<b>Müllboy Big</b>		•	•			•		•	•			•	→ 3.41

# OEKO COMPLET WASTE SYSTEM

The hard-wearing complete system for household waste sorting



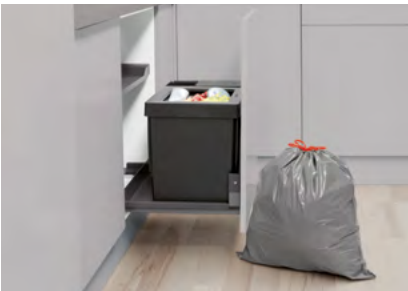
swiss made

## CONFIGURATIONS



anthracite

## DISTINGUISHING FEATURES



- Makes optimal use of space thanks to its generously-sized containers and additional storage
- Waste sorting and disposal is a piece of cake with Oeko Complet
- Choose the containers you want and arrange them however you like

- Waste bags of various sizes (15 to 50 litres) can be clipped into the frame quickly and easily
- The pull-out metal shelf offers extra storage space
- Handy additional container for compost or cleaning materials

- The system's height can be adjusted through 30 mm, so it fits under any sink
- Complete system, including extension runners with a load capacity of 110 kg
- Soft opening and closing make for smooth, quiet movement

## OPTIONS

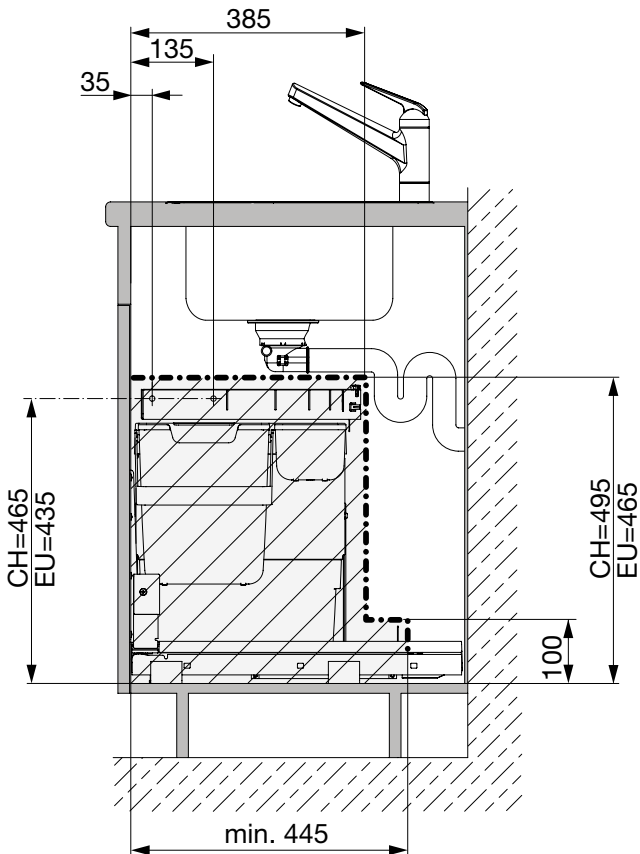
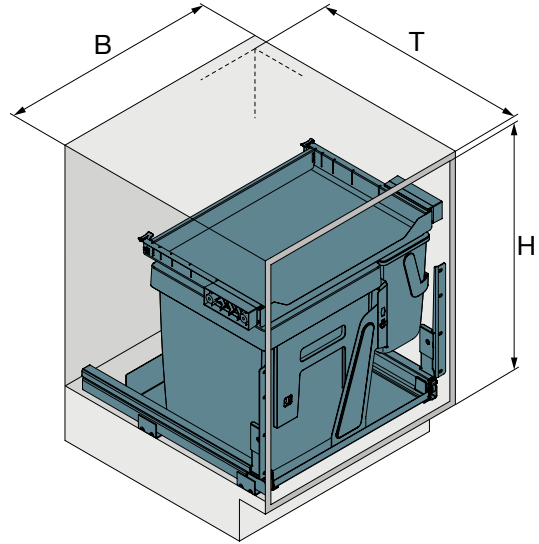


### Foot pedal

The foot pedal allows you to open the door hands-free – simple and hygienic!

## TECHNICAL ILLUSTRATION

<b>B= Unit widths</b>	450/500/550/600 mm
<b>T= Interior depth</b>	495/545 mm
<b>H= Interior height</b>	495/465 mm



Depth = length of the guide rail

Installation depth 540 mm = standard unit



### Oeko Complet | 40 litres

Complete mechanism set, including sliding system (load capacity of 110 kg)

- Height-adjustable
- For side panels measuring 16 and 19 mm

Set includes:

- 1 x 40 litre waste bin
  - 1 x Sliding system with Softopen and Softclose
  - 1 x Pull-out metal shelf
- Set of assembly material

Unit width	Surface	Width	Depth	Height	Art. No.
450 / 500	anthracite	412 - 468	490	490 / 460	200.1661.43
450 / 500	anthracite	412 - 468	540	490 / 460	200.1664.43

Depth = length of the guide rail



### Oeko Complet | 17+17 litres

Complete mechanism set, including sliding system (load capacity of 110 kg)

- For side panels measuring 16 and 19 mm

Set includes:

- 2 x 17 litre multi-purpose container\* including lid
  - 1 x Sliding system with Softopen and Softclose
  - 1 x Pull-out metal shelf
- Set of assembly material

Unit width	Surface	Width	Depth	Height	Art. No.
450 / 500	anthracite	412 - 468	490	460	200.1662.43
450 / 500	anthracite	412 - 468	540	460	200.1665.43

Depth = length of the guide rail | \* Not suitable for 17 litre waste bags



## Oeko Complet | 40+6+1,2 litres

Complete mechanism set, including sliding system (load capacity of 110 kg)

- Height-adjustable
- For side panels measuring 16 and 19 mm

Set includes:

- 1 x 40 litre waste bin
  - 1 x 6 litre compost bin including lid
  - 1 x 1,2 litre multi-purpose container
  - 1 x Divider panel
  - 1 x Sliding system with Softopen and Softclose
  - 1 x Pull-out metal shelf
- Set of assembly material

Unit width	Surface	Width	Depth	Height	Art. No.
550 / 600	anthracite	512 - 568	490	490 / 460	200.1660.43
550 / 600	anthracite	512 - 568	540	490 / 460	200.1663.43

Depth = length of the guide rail



## Foot pedal

For peka waste system Oeko Complet

- Hands-free opening of the waste sorting system
- Softclose and selfclose also work with a pedal
- Front can be opened with pedal and handle
- For unit base thicknesses of 16 and 19 mm
- The foot pedal can be retrofitted at any time

Plinth height: min. 75 mm

Plinth recess: min. 25 mm

Ejection stroke: 45 mm

	Surface	Width	Depth	Height	Art. No.
	mat chromed				200.1401.00





# OEKO FREEZYBOY COMPLET WASTE SYSTEM

The complete waste system with the chilled FreezyBoy organic waste bin  
for custom waste sorting



## CONFIGURATIONS



for 550/600 mm wide units,  
with 33-litre metal bin

## DISTINGUISHING FEATURES



- FreezyBoy chills organic waste to -5°C
- This prevents decomposition and banishes unpleasant odours
- You only need to empty the inner container when it is full
- The easy-to-carry inner container is dishwasher safe
- The pull-out metal shelf offers extra storage space
- Complete system, including extension runners with a load capacity of 110 kg
- Soft opening and closing make for smooth, quiet movement
- Locking system for 33-litre bin and for FreezyBoy with spacer
- The waste bag is simply clipped into the opening in the 33-litre metal bin and covered neatly with the fitted frame

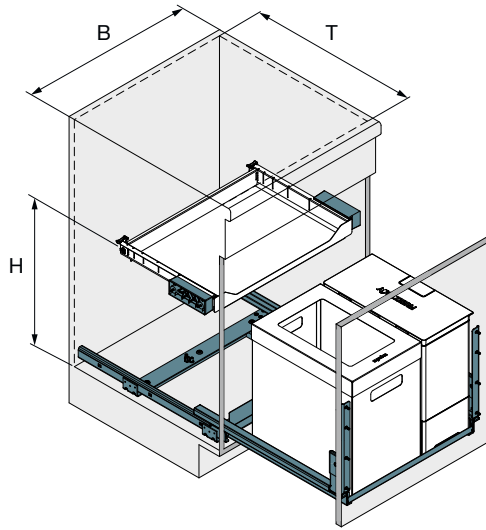
## OPTIONS



### Foot pedal

The foot pedal allows you to open the door hands-free – simple and hygienic!

## TECHNICAL ILLUSTRATION



<b>B= Unit widths</b>	550/600 mm
<b>T= Interior depth</b>	545 mm
<b>H= Interior height</b>	467 mm



### Oeko FreezyBoy Complet | 33 litres + FreezyBoy

Complete mechanism set, including sliding system (load capacity of 110 kg)

- For side panels measuring 16 and 19 mm
- Power consumption: approx. 75 kWh a year (CHF 12 a year)
- 220 V power cable supplied

Set contains:

- 1 x 33-litre metal bin
- 1 x FreezyBoy with 7 litres inner container, with EU plug
- 1 x Sliding system with Softopen and Softclose
- 1 x Pull-out metal shelf
- Set of assembly material

Unit width	Surface	Width	Depth	Height	Art. No.
550/600	anthracite	512 - 568	540	462	200.2160.43

Depth = length of the guide rail



### FreezyBoy One

Stand-alone refrigerator for organic waste

- With EU plug
- Power consumption: approx. 75 kWh a year (CHF 12 a year)
- 220 V power cable supplied

Set contains:

- 1x FreezyBoy One
- 1x 7 litres inner container yellow

Surface	Width	Depth	Height	Art. No.
anthracite	370	170	375	200.1991.61



### Foot pedal

For peka waste system Oeko Complet

- Hands-free opening of the waste sorting system
- Softclose and selfclose also work with a pedal
- Front can be opened with pedal and handle
- For unit base thicknesses of 16 and 19 mm
- The foot pedal can be retrofitted at any time

Plinth height: min. 75 mm

Plinth recess: min. 25 mm

Ejection stroke: 45 mm

Surface	Width	Depth	Height	Art. No.
mat chromed				200.1401.00

# OEKO UNIVERSAL WASTE SYSTEM



The flexible waste system for any drawer pull-out





## CONFIGURATIONS



Oeko Universal 40+6+1,2 litres



Oeko Universal 40+17 litres



Oeko Universal 40 litres+Bag



Oeko Universal 40 litres+Spider

## DISTINGUISHING FEATURES



- Waste bags of various sizes (15 to 50 litres) can be clipped into the frame quickly and easily
- Waste sorting and disposal is a piece of cake with Oeko Universal
- Choose the containers you want and arrange them however you like



- The pull-out metal shelf offers extra storage space
- Handy additional container for compost or cleaning materials
- Compatible with all drawer pull-outs on the market



- Stable holders and an easy-clean mat for secure positioning in drawer pull-outs
- The system's height can be adjusted through 30 mm, so it fits under any sink



### Oeko Universal 40 litres+Spider

- This bottle partition for cleaning products can be mounted directly on the left or right side of the wooden back wall – no tools required!



### Oeko Universal 40 litres+Bag

- The Oeko Bag, which is made of hard-wearing woven polypropylene fabric, can be placed to the left or right of the 40-litre container



### Oeko Universal with Quooker

- Oeko Universal is also available for drawer pull-outs with a depth of 400 mm, and so is compatible with Quooker
- Thanks to Quooker, you can have boiling water on tap

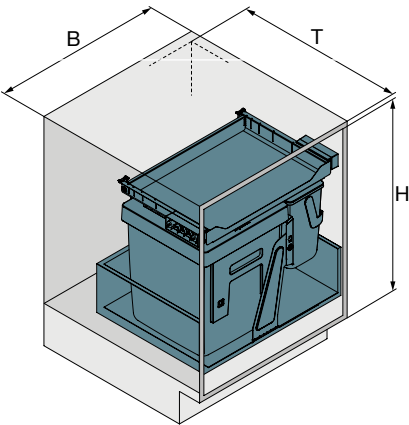
## OPTIONS



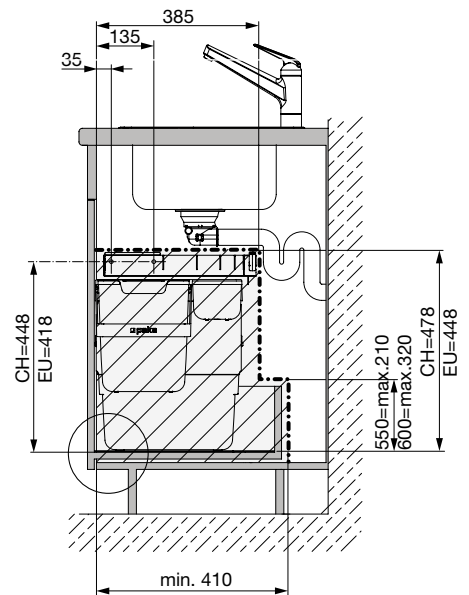
### Foot pedal

The foot pedal allows you to open the door hands-free – simple and hygienic!

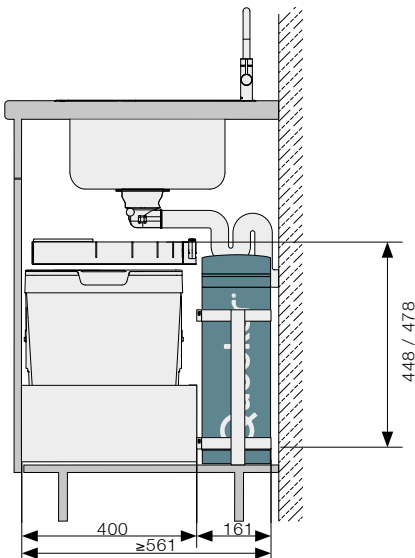
## TECHNICAL ILLUSTRATION



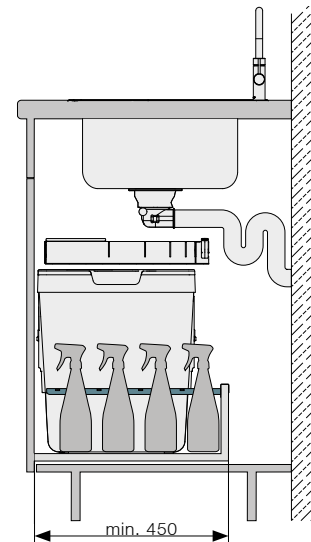
<b>B= Unit widths</b>	450/500/600/900 mm
<b>T= Interior depth</b>	≥ 410 mm
<b>H= Interior height</b>	448/478 mm



### Application with Quooker



### Application with Spider





### Oeko Universal | 40 litres

Waste bin set for drawer pull-outs with a depth of 400 mm or more

- Height-adjustable
- For side panels measuring 16 and 19 mm

Set includes:

- 1 x 40 litres waste bin
- 1 x Position angle
- 1 x Pull-out metal shelf (including assembly material)

Unit width	Surface	Width	Depth	Height	Art. No.
450 / 500	anthracite	412 - 468	385	440 / 470	200.1671.43



### Oeko Universal | 17+17 litres

Waste bin set for drawer pull-outs with a depth of 400 mm or more

- For side panels measuring 16 and 19 mm

Set includes:

- 2 x 17 litre multi-purpose container\* including lid
- 1 x Position angle
- 1 x Pull-out metal shelf (including assembly material)

Unit width	Surface	Width	Depth	Height	Art. No.
450 / 500	anthracite	412 - 468	385	440	200.1672.43

\* Not suitable for 17 litre waste bags



### Base mat Universal

For Oeko Universal 40 litres and 17+17 litres

- Can be cut as required to fit drawer

Unit width	Surface	Width	Depth	Height	Art. No.
450 / 500	grey	438	480	1	200.1788.62



## Unit base mat for a frame depth of 450 mm

For Oeko Universal 40 litres and 17+17 litres

### 16 mm side wall

Unit width	Type drawer	Side wall	Art. No.
450	Blum Legrabox / Grass Vionaro / Hettich AvanTech	16 mm	200.1703.62
450	Grass Nova Pro	16 mm	200.1713.62
450	Blum Tandembox Antaro	16 mm	200.1723.62
500	Blum Legrabox / Grass Vionaro / Hettich AvanTech	16 mm	200.1701.62
500	Grass Nova Pro	16 mm	200.1711.62
500	Blum Tandembox Antaro	16 mm	200.1721.62

### 19 mm side wall

Unit width	Type drawer	Side wall	Art. No.
450	Blum Legrabox / Grass Vionaro / Hettich AvanTech	19 mm	200.1704.02
450	Grass Nova Pro	19 mm	200.1714.62
450	Blum Tandembox Antaro / Hettich ArciTech	19 mm	200.1724.62
500	Blum Legrabox / Grass Vionaro / Hettich AvanTech	19 mm	200.1702.62
500	Grass Nova Pro	19 mm	200.1712.62
500	Blum Tandembox Antaro / Hettich ArciTech	19 mm	200.1703.62

*Other depths/widths available on request*



## Unit base mat for a frame depth of 400 mm

For Oeko Universal 40 litres and 17+17 litres  
Compatible with Quooker

See page 3.12 for technical information about Quooker

### 16 mm side wall

Unit width	Type drawer	Side wall	Art. No.
450	Blum Legrabox / Grass Vionaro / Hettich AvanTech	16 mm	200.2092.62
450	Grass Nova Pro	16 mm	200.2100.62
450	Blum Tandembox Antaro	16 mm	200.2106.62
500	Blum Legrabox / Grass Vionaro / Hettich AvanTech	16 mm	200.2090.62
500	Grass Nova Pro	16 mm	200.2098.62
500	Blum Tandembox Antaro	16 mm	200.2105.62

### 19 mm side wall

Unit width	Type drawer	Side wall	Art. No.
450	Blum Legrabox / Grass Vionaro / Hettich AvanTech	19 mm	200.2093.02
450	Grass Nova Pro	19 mm	200.2101.62
450	Blum Tandembox Antaro / Hettich ArciTech	19 mm	200.2107.62
500	Blum Legrabox / Grass Vionaro / Hettich AvanTech	19 mm	200.2091.62
500	Grass Nova Pro	19 mm	200.2099.62
500	Blum Tandembox Antaro / Hettich ArciTech	19 mm	200.2092.62

*Other depths/widths available on request*



## Oeko Universal | 40+6+1,2 litres

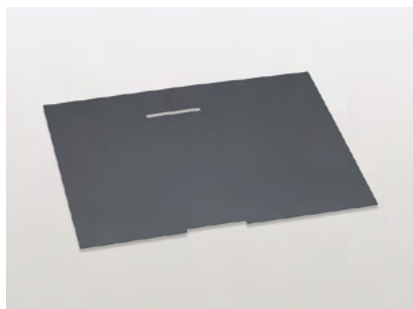
Waste bin set for drawer pull-outs with a depth of 400 mm or more

- Height-adjustable
- For side panels measuring 16 and 19 mm

Set includes:

- 1 x 40 litres waste bin
- 1 x 6 litres compost bin including lid
- 1 x 1,2 litres multi-purpose container
- 1 x Divider panel
- 1 x Pull-out metal shelf (including assembly material)

Unit width	Surface	Width	Depth	Height	Art. No.
600	anthracite	512 - 568	385	440 / 470	200.1668.43



## Base mat Universal

For Oeko Universal 40+6+1,2 litres

- Can be cut as required to fit drawer

Unit width	Surface	Width	Depth	Height	Art. No.
600	grey	538	480	1	200.1783.62



## Unit base mat for a frame depth of 450 mm

For Oeko Universal 40+6+1,2 litres

### 16 mm side wall

Unit width	Type drawer	Side wall	Art. No.
600	Blum Legrabox / Grass Vionaro / Hettich AvanTech	16 mm	200.1683.62
600	Grass Nova Pro	16 mm	200.1687.62
600	Blum Tandembox Antaro	16 mm	200.1691.62
600	Hettich ArciTech	16 mm	200.1694.62

### 19 mm side wall

Unit width	Type drawer	Side wall	Art. No.
600	Blum Legrabox / Grass Vionaro / Hettich AvanTech	19 mm	200.1684.62
600	Grass Nova Pro	19 mm	200.1688.62
600	Blum Tandembox Antaro	19 mm	200.1692.62
600	Hettich ArciTech	19 mm	200.1694.62

Other depths/widths available on request



### Unit base mat for a frame depth of 400 mm

For Oeko Universal 40+6+1,2 litres

Compatible with Quooker

See page 3.12 for technical information about Quooker

#### 16 mm side wall

Unit width	Type drawer	Side wall	Art. No.
600	Blum Legrabox / Grass Vionaro / Hettich AvanTech	16 mm	200.2072.62
600	Grass Nova Pro	16 mm	200.1994.62
600	Blum Tandembox Antaro	16 mm	200.1829.62
600	Hettich ArciTech	16 mm	200.2081.62

#### 19 mm side wall

Unit width	Type drawer	Side wall	Art. No.
600	Blum Legrabox / Grass Vionaro / Hettich AvanTech	19 mm	200.2073.62
600	Grass Nova Pro	19 mm	200.2076.62
600	Blum Tandembox Antaro	19 mm	200.2079.62
600	Hettich ArciTech	19 mm	200.2081.62

Other depths/widths available on request



### Oeko Universal | 40+17 litres

Waste bin set for drawer pull-outs with a depth of 400 mm or more

- Height-adjustable
- For side panels measuring 16 and 19 mm

Set includes:

- 1 x 40 litre waste bin
- 1 x 17 litre supplementary bin\* including lid
- 1 x Position angle
- 1 x Pull-out metal shelf (including assembly material)

Unit width	Surface	Width	Depth	Height	Art. No.
600	anthracite	562 - 568	385	440 / 470	200.1669.43

\* Not suitable for 17 litre waste bags





### Oeko Universal | 17+17+17 litres

Waste bin set for drawer pull-outs with a depth of 400 mm or more

- For side panels measuring 16 and 19 mm

Set includes:

3 x 17 litre multi-purpose container\* including lid

1 x Position angle

1 x Pull-out metal shelf (including assembly material)

Unit width	Surface	Width	Depth	Height	Art. No.
600	anthracite	562 - 568	385	440	200.1670.43

\* Not suitable for 17 litre waste bags



### Oeko Universal | 40 litres+Spider

Waste bin set with a bottle partition Spider for storing cleaning materials for drawer pull-outs with a minimum depth of 450 mm

- Height-adjustable
- For side panels measuring 16 and 19 mm

Set includes:

1 x 40 litres waste bin

1 x Bottle partition Spider

1 x Position angle

1 x Pull-out metal shelf (including assembly material)

Unit width	Surface	Width	Depth	Height	Art. No.
600	anthracite	562 - 568	385	440 / 470	200.2115.43



### Oeko Universal | 40 litres+Bag

Waste bin set with a multi-purpose bag Oeko Bag for recyclable waste for drawer pull-outs with a minimum depth of 400 mm

- Height-adjustable
- For side panels measuring 16 and 19 mm
- 

Set includes:

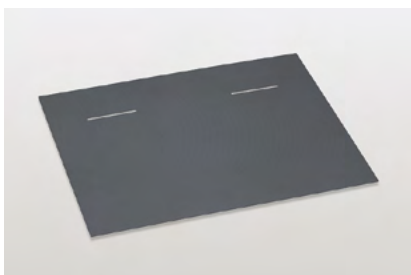
1 x 40 litres waste bin

1 x 19 litres multi-purpose bag Oeko Bag

1 x Position angle

1 x Pull-out metal shelf (including assembly material)

Unit width	Surface	Width	Depth	Height	Art. No.
600	anthracite	562 - 568	385	440 / 470	200.2116.43



### Base mat Universal

For Oeko Universal 40+17 litres, 17+17+17 litres, 40 litres+ Spider and 40 litres+Bag

- Can be cut as required to fit drawer

Unit width	Surface	Width	Depth	Height	Art. No.
600	grey	535	480	1	200.1789.62



### Unit base mat for a frame depth of 450 mm

For Oeko Universal 40+17 litres, 17+17+17 litres, 40 litres+Spider and 40 litres+Bag

See page 3.12 for technical information about Spider

#### 16 mm side wall

Unit width	Type drawer	Side wall	Art. No.
600	Blum Legrabox / Grass Vionario / Hettich AvanTech	16 mm	200.1697.62
600	Grass Nova Pro	16 mm	200.1707.62
600	Blum Tandembox Antaro	16 mm	200.1717.62

#### 19 mm side wall

Unit width	Type drawer	Side wall	Art. No.
600	Blum Legrabox / Grass Vionario / Hettich AvanTech	19 mm	200.1698.62
600	Grass Nova Pro	19 mm	200.1708.62
600	Blum Tandembox Antaro / Hettich ArciTech	19 mm	200.1718.62

*Other depths/widths available on request*



### Unit base mat for a frame depth of 400 mm

For Oeko Universal 40+17 litres, 17+17+17 litres, 40 litres+Spider and 40 litres+Bag

Compatible with Quooker

See page 3.12 for technical information about Quooker

#### 16 mm side wall

Unit width	Type drawer	Side wall	Art. No.
600	Blum Legrabox / Grass Vionario / Hettich AvanTech	16 mm	200.2086.62
600	Grass Nova Pro	16 mm	200.2094.62
600	Blum Tandembox Antaro	16 mm	200.2102.62

#### 19 mm side wall

Unit width	Type drawer	Side wall	Art. No.
600	Blum Legrabox / Grass Vionario / Hettich AvanTech	19 mm	200.2087.62
600	Grass Nova Pro	19 mm	200.2095.62
600	Blum Tandembox Antaro / Hettich ArciTech	19 mm	200.2088.62

*Other depths/widths available on request*



### Oeko Universal | 40+17+17 litres

Waste bin set for drawer pull-outs with a depth of 400 mm or more

- Height-adjustable
- For side panels measuring 16 and 19 mm

Set includes:

- 1 x 40 litres waste bin
- 2 x 17 litres supplementary bins\* including lid
- 2 x Position angles
- 1 x Fixed metal shelf (including assembly material)

Unit width	Surface	Width	Depth	Height	Art. No.
900	anthracite	862 - 868	385	410	200.1666.43

\* Not suitable for 17 litre waste bags



### Base mat Universal

For Oeko Universal 40+17+17 litres

- Can be cut as required to fit drawer

Unit width	Surface	Width	Depth	Height	Art. No.
900	grey	825	480	1	200.2271.62



### Unit base mat for a frame depth of 450 mm

For Oeko Universal 40+17+17 litres

#### 16 mm side wall

Unit width	Type drawer	Side wall	Art. No.
900	Blum Legrabox / Grass Vionaro / Hettich AvanTech	16 mm	200.1695.62
900	Grass Nova Pro	16 mm	200.1705.62
900	Blum Tandembox Antaro	16 mm	200.1715.62

#### 19 mm side wall

Unit width	Type drawer	Side wall	Art. No.
900	Blum Legrabox / Grass Vionaro / Hettich AvanTech	19 mm	200.1696.62
900	Grass Nova Pro	19 mm	200.1706.62
900	Blum Tandembox Antaro / Hettich ArciTech	19 mm	200.1716.62

Other depths/widths available on request



## Unit base mat for a frame depth of 400 mm

For Oeko Universal 40+17+17 litres

Compatible with Quooker

See page 3.12 for technical information about Quooker

### 16 mm side wall

Unit width	Type drawer	Side wall	Art. No.
900	Blum Legrabox / Grass Vionaro / Hettich AvanTech	16 mm	200.2108.62
900	Grass Nova Pro	16 mm	200.2110.62
900	Blum Tandembox Antaro	16 mm	200.2112.62

### 19 mm side wall

Unit width	Type drawer	Side wall	Art. No.
900	Blum Legrabox / Grass Vionaro / Hettich AvanTech	19 mm	200.2109.62
900	Grass Nova Pro	19 mm	200.2111.62
900	Blum Tandembox Antaro	19 mm	200.2113.62

*Other depths/widths available on request*



## Oeko Universal | 40+17+17+6+1,2 litres

Waste bin set for drawer pull-outs with a depth of 400 mm or more

- Height-adjustable
- For side panels measuring 16 and 19 mm

Set includes:

- 1 x 40 litres waste bin
- 2 x 17 litres supplementary bins\* including lid
- 1 x 6 litres compost bin including lid
- 1 x 1,2 litres multi-purpose container
- 1 x Divider panel and position angle
- 1 x Fixed metal shelf (including assembly material)

Unit width	Surface	Width	Depth	Height	Art. No.
900	anthracite	862 - 868	385	410	200.1667.43

\* Not suitable for 17 litre waste bags



## Base mat Universal

For Oeko Universal 40+17+17+6+1,2 litres

- Can be cut as required to fit drawer

Unit width	Surface	Width	Depth	Height	Art. No.
900	grey	825	480	1	200.2272.62



## Unit base mat for a frame depth of 450 mm

For Oeko Universal 40+17+17+6+1,2 litres

### 16 mm side wall

Unit width	Type drawer	Side wall	Art. No.
900	Blum Legrabox / Grass Vionaro / Hettich AvanTech	16 mm	200.1681.62

### 19 mm side wall

Unit width	Type drawer	Side wall	Art. No.
900	Blum Legrabox / Grass Vionaro / Hettich AvanTech	19 mm	200.1682.62

Other depths/widths available on request



### Unit base mat for a frame depth of 400 mm

For Oeko Universal 40+17+17+6+1,2 litres

Compatible with Quooker

See page 3.12 for technical information about Quooker

#### 16 mm side wall

Unit width	Type drawer	Side wall	Art. No.
900	Blum Legrabox / Grass Vionaro /Hettich AvanTech	16 mm	200.2084.62

#### 19 mm side wall

Unit width	Type drawer	Side wall	Art. No.
900	Blum Legrabox / Grass Vionaro / Hettich AvanTech	19 mm	200.2085.62

*Other depths/widths available on request*





### Foot pedal

For drawer front extension Blum Legrabox, Blum Tandembox Antaro, Grass Vionaro, Grass Nova Pro, Hettich ArciTech, Hettich AvanTech

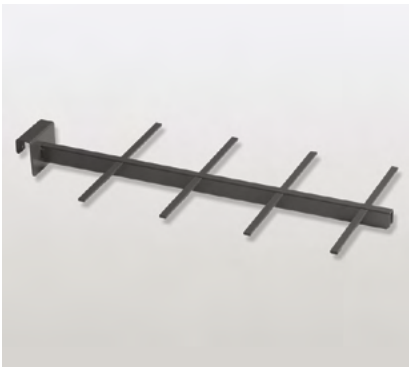
- Hands-free opening of the waste sorting system
- Softclose and selfclose also work with a pedal
- Front can be opened with pedal and handle
- For unit base thicknesses of 16 and 19 mm
- The foot pedal can be retrofitted at any time

Plinth height: min. 75 mm

Plinth recess: min. 25 mm

Ejection stroke: 45 mm

	Surface	Width	Depth	Height	Art. No.
	mat chromed				200.1401.00

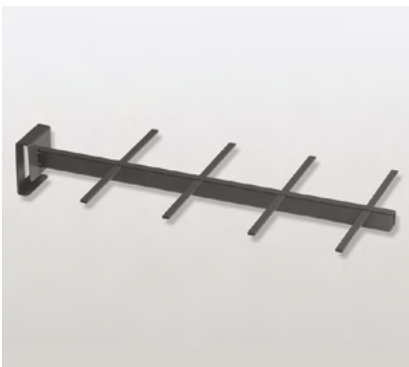


### Spider bottle partition (wooden back wall)

Bottle partition (double-row) for drawers with wooden back walls (16 mm)

- Clips onto back wall – no tools required

Unit width	Surface	Width	Depth	Height	Art. No.
275	anthracite	175	435	44	200.1801.43



### Spider bottle partition (metal back wall)

Bottle partition (double-row) for Blum Tandembox, Intivo and Antaro drawers with metal back walls

- Clips onto back wall – no tools required

Unit width	Surface	Width	Depth	Height	Art. No.
275	anthracite	175	433	61	200.1800.43



### Oeko Bag

Multi-purpose bag made of woven polypropylene, with a reinforced base and two handles for recycling cardboard, plastic, and more

Can be used in any unit or drawer

	Surface	Width	Depth	Height	Art. No.
	anthracite	160	320	370	200.1909.00

# OEKO FREEZYBOY UNIVERSAL WASTE SYSTEM

The flexible waste system with the FreezyBoy chilled organic waste bin – compatible with all drawer pull-outs on the market



-5°C

## CONFIGURATIONS



for 600 mm wide units,  
with 40-litre plastic bin

## DISTINGUISHING FEATURES



- FreezyBoy chills organic waste to -5°C
- This prevents decomposition and banishes unpleasant odours
- You only need to empty the inner container when it is full
- The easy-to-carry inner container is dishwasher safe
- The pull-out metal shelf offers extra storage space
- A smart locking system holds the bin and FreezyBoy in position on the floor of the pull-out
- Waste bags of various sizes (15-50 litres) can quickly and easily be clipped into the frame of the 40-litre plastic bin for 600 mm units
- The height of the system (40-litre bin + FreezyBoy) can be adjusted through 30 mm, so it fits under any sink

## OPTIONS

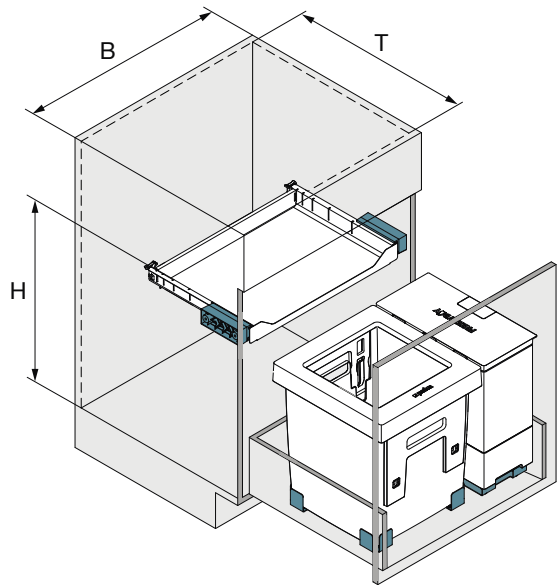


### Foot pedal

The foot pedal allows you to open the door hands-free – simple and hygienic!

## TECHNICAL ILLUSTRATION

<b>B= Unit widths</b>	600 mm
<b>T= Interior depth</b>	≥ 450 mm
<b>H= Interior height</b>	450/480 mm





### Oeko FreezyBoy Universal 40 litres + FreezyBoy

Waste bin set for Blum Legrabox, Grass Vionaro and Hettich AvanTech pull-outs with a depth of at least 450 mm

- Height-adjustable
- For side panels measuring 16 and 19 mm
- Power consumption: approx. 75 kWh a year (CHF 12 a year)
- 220 V power cable supplied

Set contains:

- 1 x 40 litres waste bin
- 1 x FreezyBoy with 7 litres inner container, with EU plug
- 1 x locking system for bin and FreezyBoy
- 1 x pull-out metal shelf

Unit width	Surface	Width	Depth	Height	Art. No.
600	anthracite	562 - 568	450	442 / 472	200.1988.43



### Oeko FreezyBoy Universal 17+17 litres + FreezyBoy

Waste bin set for Blum Legrabox, Grass Vionaro and Hettich AvanTech pull-outs with a depth of at least 450 mm

- For side panels measuring 16 and 19 mm
- Power consumption: approx. 75 kWh a year (CHF 12 a year)
- 220 V power cable supplied

Set contains:

- 2 x 17 litres supplementary bins\* including lid
- 1 x FreezyBoy with 7 litres inner container, with EU plug
- 1 x locking system for bin and FreezyBoy
- 1 x pull-out metal shelf

Unit width	Surface	Width	Depth	Height	Art. No.
600	anthracite	562 - 568	450	442	200.1989.43

*Not suitable for 17 litre waste bags*



### FreezyBoy One

Stand-alone refrigerator for organic waste

- With EU plug
- Power consumption: approx. 75 kWh a year (CHF 12 a year)
- 220 V power cable supplied

Set contains:

- 1x FreezyBoy One
- 1x 7 litres inner container yellow

Surface	Width	Depth	Height	Art. No.
anthracite	370	170	375	200.1991.61



## Foot pedal

For drawer front extension Blum Legrabox, Blum Tandembox Antaro, Grass Vionaro, Grass Nova Pro, Hettich ArciTech, Hettich AvanTech

- Hands-free opening of the waste sorting system
- Softclose and selfclose also work with a pedal
- Front can be opened with pedal and handle
- For unit base thicknesses of 16 and 19 mm
- The foot pedal can be retrofitted at any time

Plinth height: min. 75 mm

Plinth recess: min. 25 mm

Ejection stroke: 45 mm

	Surface	Width	Depth	Height	Art. No.
	mat chromed				200.1401.00






# MÜLLBOY STANDARD WASTE SYSTEM

—  
The simple waste bin for compact kitchens



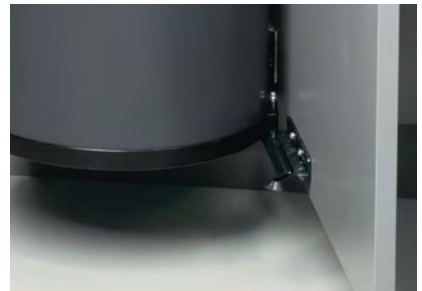
 swiss storage design

## CONFIGURATIONS



anthracite

## DISTINGUISHING FEATURES



- Classic round waste bin that swivels out of the unit and raises its lid when the unit door is opened
- Compatible with all hinged units
- Waste bags can be clipped in easily
- Sesam Mini clip-on shelf available as an option – a handy solution for storing cleaning materials and small utensils
- Easy to fit to the unit interior
- Smart, no-maintenance mechanism
- Sturdy metal container designed for day-to-day use

## OPTIONS



### Dustpan and brush holder

Space-saving dustpan and brush holder as an addition to Müllboy Standard



### Sesam Mini

Simple shelf system for cleaning materials as an addition to Müllboy Standard in 600 mm units



### Peroko 5

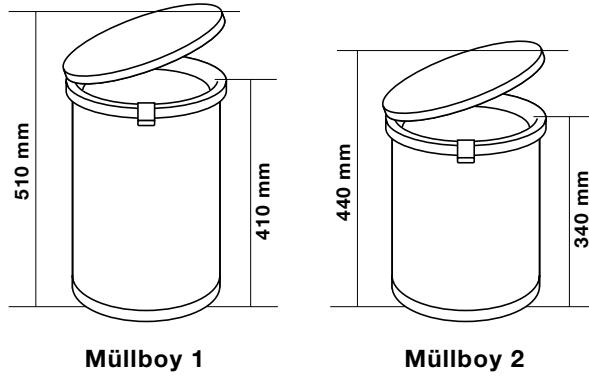
Pull-out for cleaning materials as an addition to Müllboy Standard in 600 mm units



### Pesolo

Universal pull-out as an addition to Müllboy Standard in 600 mm units

## TECHNICAL ILLUSTRATION





## Müllboy Standard

Waste system for units with hinged doors

- Includes overflow ring which keeps the waste in the bin
- Can be installed on the left or right side of the unit (no strain on the hinges)

Bag size: 35 litres

Volume: Type 1 = 32 litres / Type 2 = 26 litres

Height of the bin: Type 1 = 410 mm / Type 2 = 340 mm

Minimum interior width: 415 mm

Height = min. internal height

Type	Surface	Width	Depth	Height	Art. No.
Müllboy 1	anthracite	415	340	510	200.0043.43
Müllboy 2	anthracite	415	340	440	200.0047.43



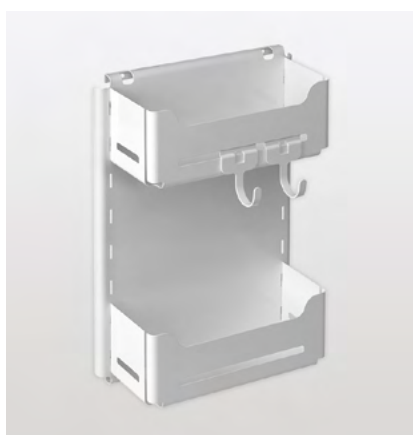
## Dustpan and brush holder

Holder for dustpan and brush as an addition to Müllboy Standard with a unit width of 500 mm

- Includes 3 clips for mounting on the left or right side of the door
- Dustpan and brush holder can be retrofitted

Unit width: min. 500 mm

	Surface	Width	Depth	Height	Art. No.
	white	270	120	215	200.0265.01
	chrome	270	120	215	200.0325.05



## Sesam Mini

Multi-purpose shelf system as an addition to Müllboy Standard with a unit width of 600 mm

- The ideal place to store small utensils thanks to the high, closed trays
- Can be fixed to the right or left wall
- Modular system, so the shelves are height-adjustable

Set includes:

- 1 shelf system
- 2 clip-on shelves
- 2 clip-on hooks

Unit width: min. 600 mm

	Surface	Width	Depth	Height	Art. No.
	white	121	278	434	600.0380.01
	silver	121	278	434	600.0380.12
	anthracite	121	278	434	600.0380.43



### Peroko 5

Pull-out for cleaning products as an addition to Müllboy Standard with a unit width of 600 mm

- Can be installed on the left or right side of the unit
- Removable basket

Load capacity: 5 kg

Unit width: min. 600 mm

Min. interior width	Surface	Width	Depth	Height	Art. No.
106	silver	96	475	505	200.0829.02



### Pesolo

Universal pull-out as an addition to Müllboy Standard with a unit width of 600 mm

- May be installed on the left or right
- Includes 2 trays, 10 hooks and 2 spacers (15 mm)

Unit width: min. 600 mm

	Surface	Width	Depth	Height	Art. No.
	anthracite	180	465	115	600.0354.43






# MÜLLBOY BIG WASTE SYSTEM



The super-sized round bin for practical kitchens



 swiss made

## CONFIGURATIONS



anthracite

## DISTINGUISHING FEATURES



- Large, round waste bin that swivels out of the unit and raises its lid when the unit door is opened
- With this super-sized bin, you can fill waste bags right to the top
- A stable system that is compatible with all hinged units
- Waste bags can easily be clipped firmly into place
- Suitable for waste bags of all sizes (max. circumference 110 cm)
- Easy to fit to the unit interior
- Resilient, no-maintenance mechanism
- Sturdy metal container designed for day-to-day use

## OPTIONS



### Dustpan and brush holder

Space-saving dustpan and brush holder as an addition to Müllboy Big



### Peroko 5

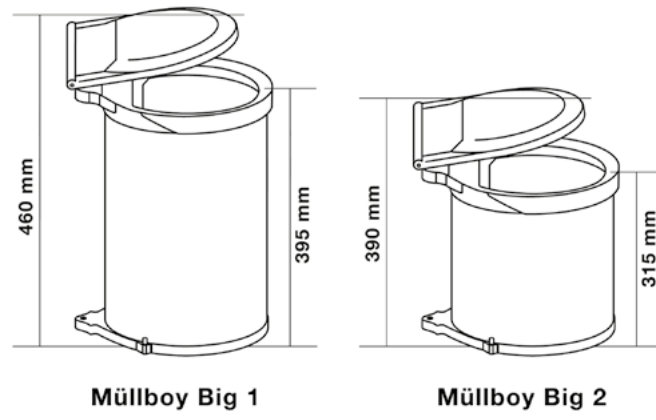
Pull-out for cleaning materials as an addition to Müllboy Big in 600 mm units



### Pesolo

Universal pull-out as an addition to Müllboy Big in 600 mm units

## TECHNICAL ILLUSTRATION





## Müllboy Big

Waste system for units with hinged doors

- Includes overflow ring which keeps the waste in the bin
- Can be installed on the left or right side of the unit (no strain on the hinges)

Bag size: 35 litres

Volume: Type 1 = 40 litres / Type 2 = 32 litres

Height of the bin: Type 1 = 395 mm / Type 2 = 315 mm

Height = min. internal height

Type	Surface	Width	Depth	Height	Art. No.
Müllboy Big 1	anthracite	455	385	460	200.1134.43
Müllboy Big 2	anthracite	455	385	390	200.1135.43



## Dustpan and brush holder

Holder for dustpan and brush as an addition to Müllboy Big with a unit width of 600 mm

- Includes 3 clips for mounting on the left or right side of the door
- Dustpan and brush holder can be retrofitted

Unit width: min. 600 mm

	Surface	Width	Depth	Height	Art. No.
	white	270	120	215	200.0265.01
	chrome	270	120	215	200.0325.05



## Peroko 5

Pull-out for cleaning products as an addition to Müllboy Big with a unit width of 600 mm

- Can be installed on the left or right side of the unit
- Removable basket

Load capacity: 5 kg

Unit width: min. 600 mm

Min. interior width	Surface	Width	Depth	Height	Art. No.
106	silver	96	475	505	200.0829.02



## Pesolo

Universal pull-out as an addition to Müllboy Big with a unit width of 600 mm

- May be installed on the left or right
- Includes 2 trays, 10 hooks and 2 spacers (15 mm)

Unit width: min. 600 mm

	Surface	Width	Depth	Height	Art. No.
	anthracite	180	465	115	600.0354.43





# CORNER UNITS

Overview

**Magic Corner Comfort**

**Magic Corner Standard**

**Extendo**





### **Magic Corner Comfort**

Optimal use of space in corner units

→ 4.05



### **Magic Corner Standard**

The simple solution that helps you make best use of space in corner units

→ 4.13



### **Extendo**

Pull-out shelves for dresser units in kitchen corners

→ 4.21

## *REACH RIGHT INTO THE CORNERS*

Make optimal use of the storage space in corner units while keeping everything accessible. Their smart technology, attractive design and smooth movement make corner unit pull-outs a winning solution in any kitchen.

## CORNER UNITS SYSTEM COMPARISON

	Door width 400 mm	Door width 450 mm	Door width 500 mm	Door width 550 mm	Door width 600 mm	Front pull-out	For units with hinged doors	For handle-free front panels	For barrier-free living	
<b>Magic Corner Comfort</b>		•	•	•	•		•	•	•	→ 4.05
<b>Magic Corner Standard</b>	•	•		•	•	•				→ 4.13
<b>Extendo dresser pull-out</b>					•		•	•		→ 4.21

# MAGIC CORNER COMFORT CORNER PULL-OUT

—  
Optimal use of space in corner units





## CONFIGURATIONS



Libell shelves  
(white / silver / anthracite)

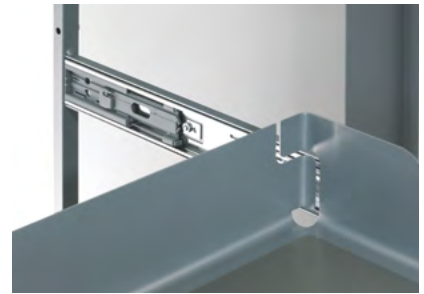


Fioro shelves, anthracite



Basket Excellent, chrome

## DISTINGUISHING FEATURES



- Just open the doors and pull on the handle to make the front shelves swing right out of the unit
- The back shelves can be pulled out individually for easy loading and unloading
- The perfect solution for storing tableware, pots and pans
- Excellent access and a clear overview across the entire storage space from three sides
- Makes best use of the available space
- Height-adjustable front shelves
- Integrated Softclose soft-closing mechanism
- The front shelves can easily be removed for cleaning and clipped back into place
- For hinged doors: the hinges can be on the right or the left

## OPTIONS



### Non-slip mat

This non-slip mat stops the unit's contents from sliding around.

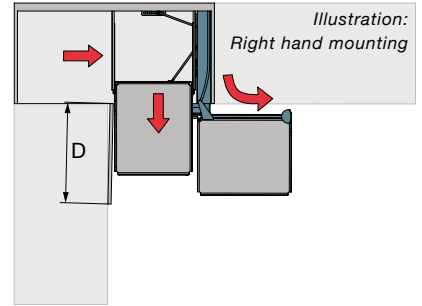
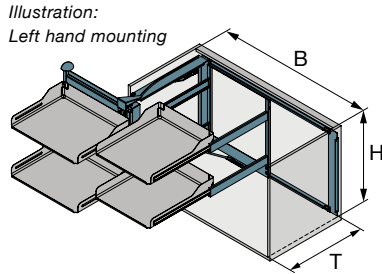
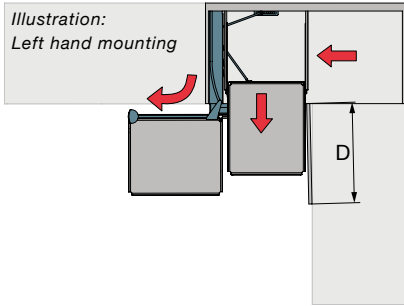


### Divider

Magnetic dividers are a flexible way for you to organise your shelf space.

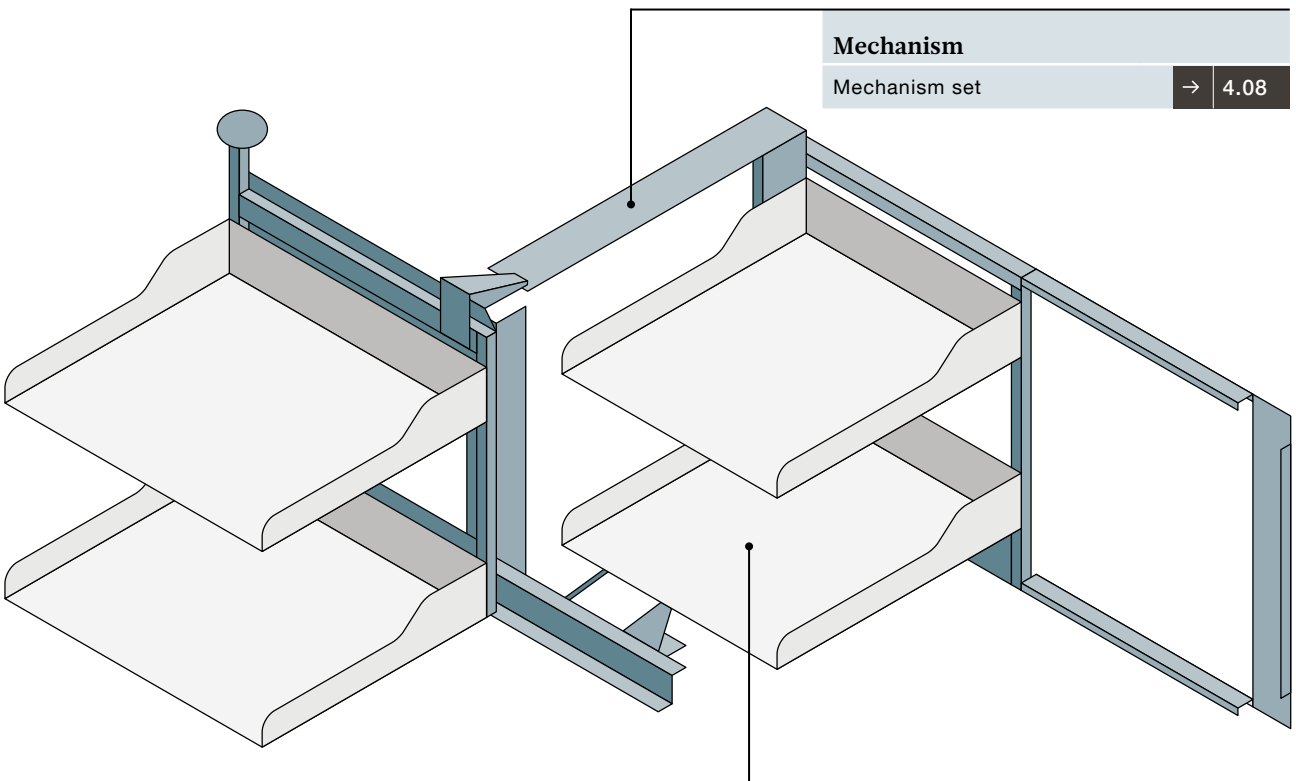


## TECHNICAL ILLUSTRATION



<b>B= Interior width</b>	862-971/962-1171 mm
<b>T= Interior depth</b>	500 mm
<b>H= Interior height</b>	545 mm

## LIST OF COMPONENTS



Accessories	
Clip-on shelf set Libell	→ 4.09
Clip-on shelf set Fiore	→ 4.10
Clip-on basket set Excellent	→ 4.11



### Magic Corner Comfort left

Complete mechanism set for hinged doors

- Back-wall shelves can be pulled out independently

Set includes:

- 1 back-wall frame
- 2 Softclose (side and back-wall frame)
- 1 pull-out frame with height-adjustable handle
- 1 swivel lever

Load capacity per clip-on component:  
Front: 10 kg / Back: 8 kg

Type	Surface	Width	Depth	Height	Art. No.
900	white	862 - 971	500	545	300.0581.01
900	silver	862 - 971	500	545	300.0581.12
900	anthracite	862 - 971	500	545	300.0581.43
1000	white	962 - 1171	500	545	300.0583.01
1000	silver	962 - 1171	500	545	300.0583.12
1000	anthracite	962 - 1171	500	545	300.0583.43



### Magic Corner Comfort right

Complete mechanism set for hinged doors

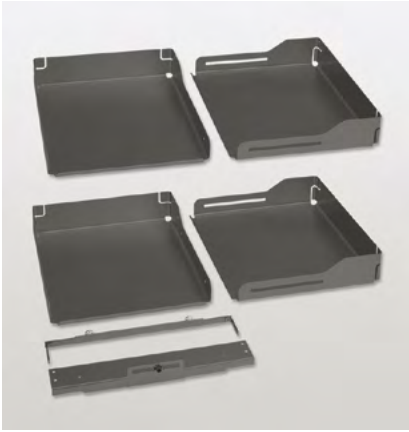
- Back-wall shelves can be pulled out independently

Set includes:

- 1 back-wall frame
- 2 Softclose (side and back-wall frame)
- 1 pull-out frame with height-adjustable handle
- 1 swivel lever

Load capacity per clip-on component:  
Front: 10 kg / Back: 9 kg

Type	Surface	Width	Depth	Height	Art. No.
900	white	862 - 971	500	545	300.0580.01
900	silver	862 - 971	500	545	300.0580.12
900	anthracite	862 - 971	500	545	300.0580.43
1000	white	962 - 1171	500	545	300.0582.01
1000	silver	962 - 1171	500	545	300.0582.12
1000	anthracite	962 - 1171	500	545	300.0582.43



### Clip-on shelf set Libell

For Magic Corner Comfort type 900/1000

Set includes:

4 clip-on shelves Libell

Cross connectors and deflection clips

Door width min.	Surface	Width	Depth	Height	Art. No.
450	white	290 / 290	470 / 470	92	300.0696.xx
500	silver	290 / 340	470 / 470	92	300.0697.xx
550 / 600	anthracite	390 / 390	470 / 470	92	300.0698.xx

Colour code .xx: 01 = white, 12 = silver, 43 = anthracite



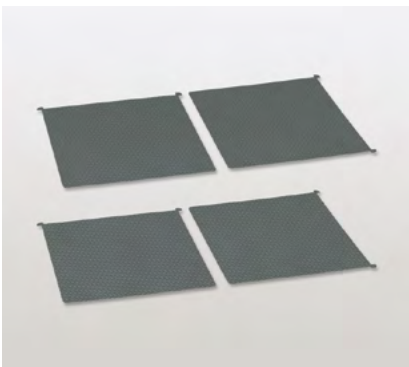
### Non-slip mat set magnetic Libell

For the Libell clip-on shelf set for Magic Corner Comfort

- Magnetic
- Easy to remove for cleaning

Set includes 4 mats

Door width min.	Surface	Width	Depth	Height	Art. No.
450	oyster white	240 / 240	425 / 425	0.5	300.0681.57
500	oyster white	240 / 290	425 / 425	0.5	300.0682.57
550 / 600	oyster white	340 / 340	425 / 425	0.5	300.0683.57



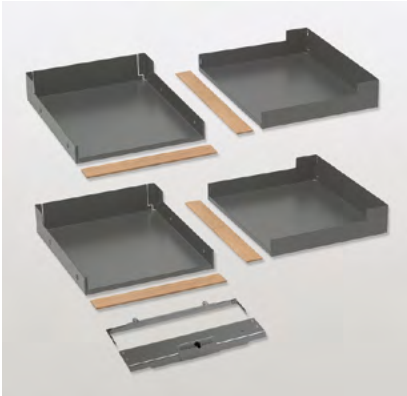
### Non-slip mat set Standard Libell

For the Libell clip-on shelf set for Magic Corner Comfort

- Gummed on both sides
- Raised diamond pattern
- Easy to remove for cleaning

Set includes four mats

Door width min.	Surface	Width	Depth	Height	Art. No.
450	grey	264 / 258	438 / 447	1	300.0923.18
500	grey	264 / 308	438 / 447	1	300.0924.18
550 / 600	grey	364 / 358	438 / 447	1	300.0925.18



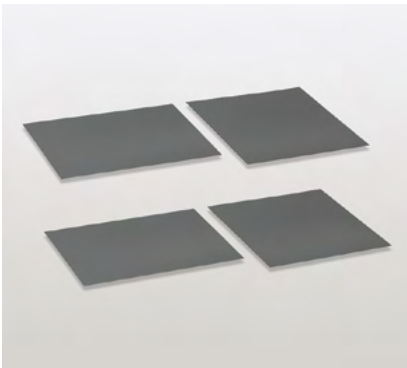
### Clip-on shelf set Fiore

For Magic Corner Comfort type 900/1000

Set includes:

- 4 clip-on shelves Fiore
- 4 wooden rails oak medium (height 52 mm)
- Cross connectors and deflection clips

Door width min.	Surface	Width	Depth	Height	Art. No.
450	anthracite	290 / 280	467 / 470	90	300.0972.43
500	anthracite	290 / 330	467 / 470	90	300.0973.43
550 / 600	anthracite	390 / 380	467 / 470	90	300.0974.43



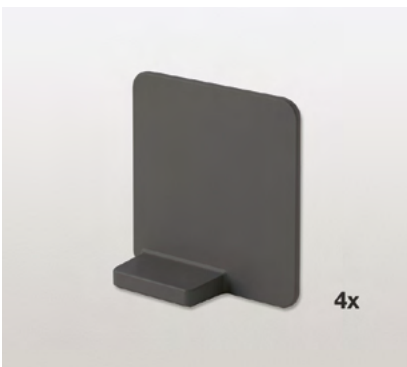
### Non-slip mat set Standard Fiore

For the Fiore clip-on shelf set for Magic Corner Comfort

- Gummed surface
- Raised diamond pattern
- Easy to remove for cleaning

Set includes 4 mats

Door width min.	Surface	Width	Depth	Height	Art. No.
450	grey	283 / 270	456 / 466	1	300.0975.18
500	grey	283 / 320	456 / 466	1	300.0976.18
550 / 600	grey	383 / 370	456 / 466	1	300.0977.18



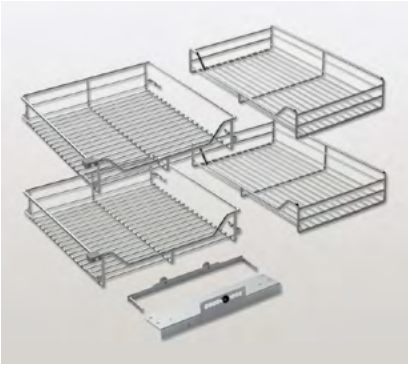
### Divider set magnetic

For Libell and Fiore shelves

- Can be attached to the shelf (base or side) or the non-slip mat

Set of 4 pieces

	Surface	Width	Depth	Height	Art. No.
	white	85	26 / 3	90	100.1121.51
	grey	85	26 / 3	90	100.1121.52
	anthracite	85	26 / 3	90	100.1121.43



### Clip-on basket set Excellent

For Magic Corner Comfort type 900/1000

Set includes:

4 Clip-on baskets Excellent

Cross connectors and deflection clips

Door width min.	Surface	Width	Depth	Height	Art. No.
450	chrome	290 / 270	470 / 470	80 / 85	300.0596.05
500	chrome	290 / 340	470 / 470	80 / 85	300.0597.05
600	chrome	390 / 390	470 / 470	80 / 85	300.0599.05



# MAGIC CORNER STANDARD CORNER PULL-OUT



The simple solution that helps you make best use of space in corner units



swiss made



## CONFIGURATIONS



Libell shelves  
(white / silver / anthracite)



Fiore shelves, anthracite



Basket Excellent, chrome

## DISTINGUISHING FEATURES



- Just swing the front panel and the front shelves to one side and the back shelves automatically slide forwards
- Ideal for storing tableware and groceries
- Access to the full contents of your units
- Integrated Softclose soft-closing mechanism
- All shelves can easily be removed for cleaning and clipped back into place

## OPTIONS



### Non-slip mat

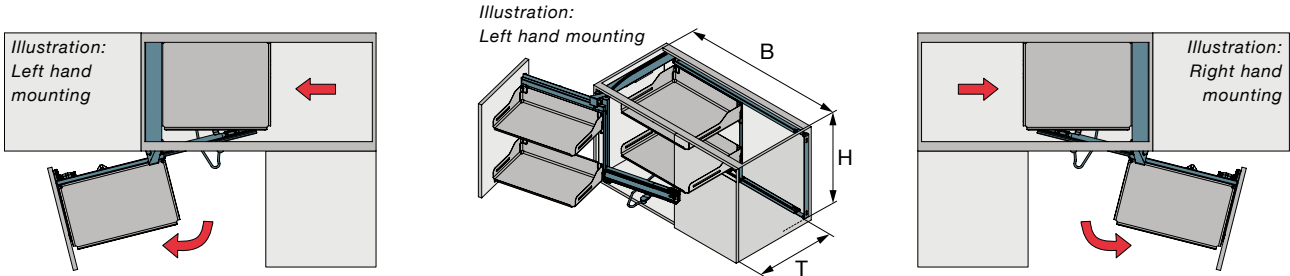
This non-slip mat stops the unit's contents from sliding around.



### Divider

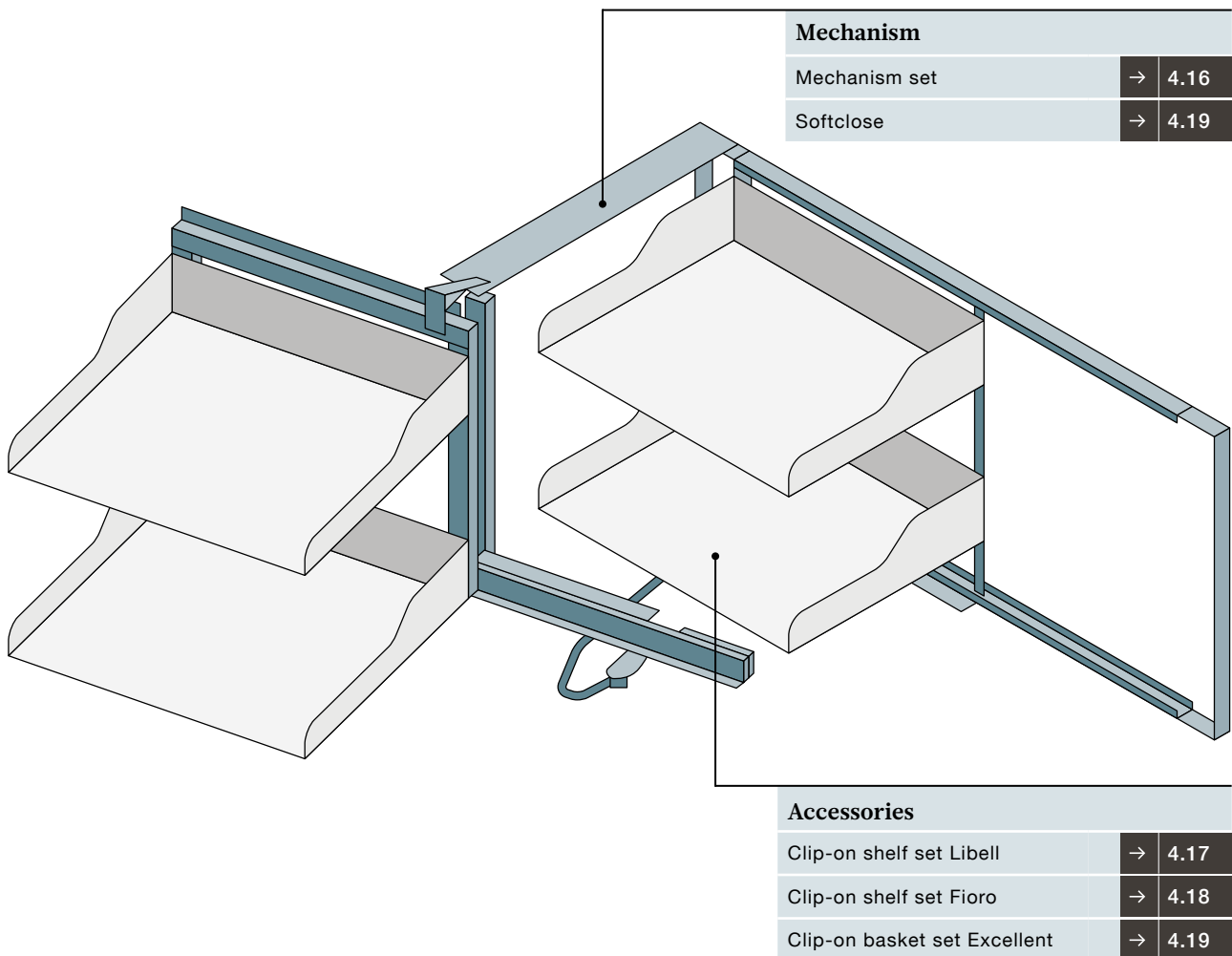
Magnetic dividers are a flexible way for you to organise your shelf space.

## TECHNICAL ILLUSTRATION



<b>B= Interior width</b>	860-971/960-1071 mm
<b>T= Interior depth</b>	500 mm
<b>H= Interior height</b>	540 mm

## LIST OF COMPONENTS





### Magic Corner Standard left

Complete mechanism set

Set includes:

- 1 back-wall frame
- 1 swivel frame
- 1 Softclose
- 1 front bracket
- 1 swivel lever

Load capacity per clip-on component:

Front: 7 kg / Back: 9 kg

Type	Surface	Width	Depth	Height	Art. No.
900	white	860 - 971	500	525	300.0826.01
900	silver	860 - 971	500	525	300.0826.12
900	anthracite	860 - 971	500	525	300.0826.43
1000	white	960 - 1071	500	525	300.0814.01
1000	silver	960 - 1071	500	525	300.0814.12
1000	anthracite	960 - 1071	500	525	300.0814.43



### Magic Corner Standard right

Complete mechanism set

Set includes:

- 1 back-wall frame
- 1 swivel frame
- 1 Softclose
- 1 front bracket
- 1 swivel lever

Load capacity per clip-on component:

Front: 7 kg / Back: 9 kg

Type	Surface	Width	Depth	Height	Art. No.
900	white	860 - 971	500	525	300.0831.01
900	silver	860 - 971	500	525	300.0831.12
900	anthracite	860 - 971	500	525	300.0831.43
1000	white	960 - 1071	500	525	300.0817.01
1000	silver	960 - 1071	500	525	300.0817.12
1000	anthracite	960 - 1071	500	525	300.0817.43



### Clip-on shelf set Libell

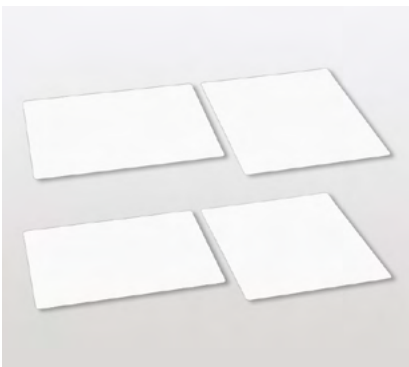
For Magic Corner Standard type 900/1000

Set includes 4 shelves

Door width min.	Surface	Width	Depth	Height	Art. No.
400	white	470 / 260	390 / 470	92	300.0695.xx
450	silver	470 / 290	390 / 470	92	300.0692.xx
550 / 600	anthracite	470 / 390	390 / 470	92	300.0694.xx

Colour code .xx: 01 = white, 12 = silver, 43 = anthracite

Other widths available on request



### Non-slip mat set magnetic Libell

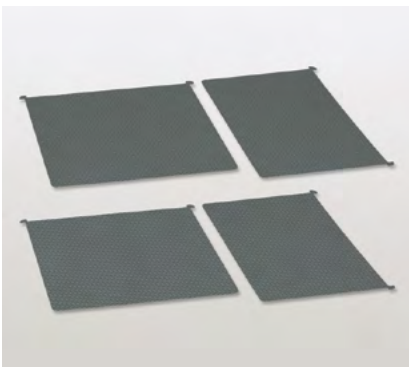
For the clip-on shelf set Libell for Magic Corner Standard

- Magnetic
- Easy to remove for cleaning

Set includes four mats

Door width min.	Surface	Width	Depth	Height	Art. No.
400	oyster white	425 / 210	340 / 425	0.5	300.0680.57
450	oyster white	425 / 240	340 / 425	0.5	300.0677.57
550 / 600	oyster white	425 / 340	340 / 425	0.5	300.0679.57

Other widths available on request



### Non-slip mat set Standard Libell

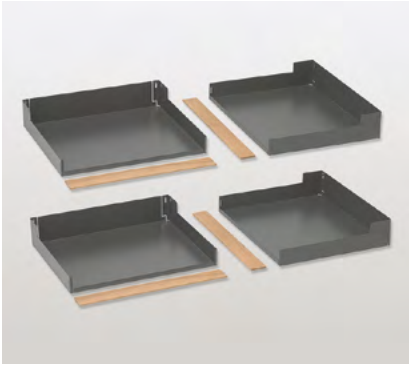
For the Libell clip-on shelf set for Magic Corner Standard

- Gummed on both sides
- Raised diamond pattern
- Easy to remove for cleaning

Set includes four mats

Door width min.	Surface	Width	Depth	Height	Art. No.
400	grey	447 / 228	358 / 447	1	300.0922.18
450	grey	447 / 258	358 / 447	1	300.0919.18
550 / 600	grey	447 / 358	358 / 447	1	300.0921.18

Other widths available on request



### Clip-on shelf set Fiore

For Magic Corner Standard type 900

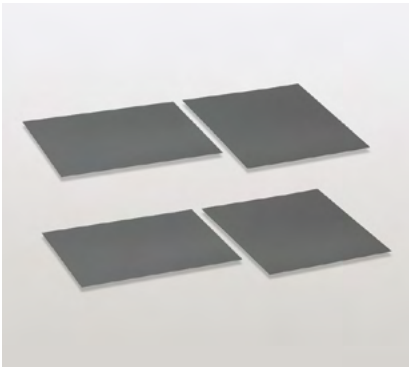
Set includes:

4 clip-on shelves Fiore

4 wooden rails oak medium (height 52 mm)

Door width min.	Surface	Width	Depth	Height	Art. No.
400	anthracite	470 / 260	380 / 470	90	300.0988.43
450	anthracite	470 / 280	380 / 470	90	300.0981.43
550 / 600	anthracite	470 / 280	380 / 470	90	300.0983.43

Other widths available on request



### Non-slip mat set Standard Fiore

For the Fiore clip-on shelf set for Magic Corner Standard

- Gummed surface
- Raised diamond pattern
- Easy to remove for cleaning

Set includes 4 mats

Door width min.	Surface	Width	Depth	Height	Art. No.
400	grey	466 / 250	370 / 466	1	300.0989.18
450	grey	466 / 270	370 / 466	1	300.0984.18
550 / 600	grey	466 / 370	370 / 466	1	300.0986.18

Other widths available on request



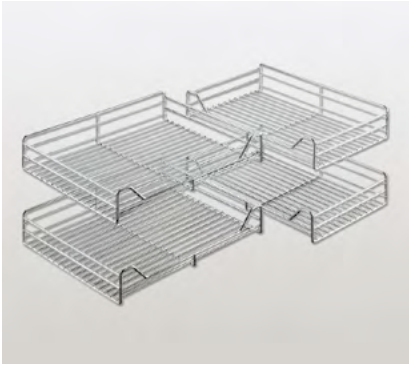
### Divider set magnetic

For Libell and Fiore shelves

- Can be attached to the shelf (base or side) or the non-slip mat

Set of 4 pieces

	Surface	Width	Depth	Height	Art. No.
	white	85	26 / 3	90	100.1121.51
	grey	85	26 / 3	90	100.1121.52
	anthracite	85	26 / 3	90	100.1121.43



### Clip-on basket set Excellent

For Magic Corner Standard

Set includes 4 baskets

Door width min.	Surface	Width	Depth	Height	Art. No.
400	chrome	470 / 270	390 / 470	80	300.0307.05
450	chrome	470 / 295	390 / 470	80	300.0011.05
550 / 600	chrome	470 / 390	390 / 470	80	300.0613.05

*Other widths available on request*



### Softclose (extra)

To clip onto the Magic Corner Standard guide plate

- Optional for heavy loads
- Can be retrofitted without any need for tools

	Surface	Width	Depth	Height	Art. No.
	grey				300.0313.00





# EXTENDO DRESSER PULL-OUT

Pull-out shelves for dresser units in kitchen corners



## CONFIGURATIONS



Extendo Libell, white



Extendo Libell, silver



Extendo Libell, anthracite



Extendo Fioro, anthracite

## DISTINGUISHING FEATURES



- Flexible shelf system for any type of dresser unit – even doorless units and units with rolling shutters
- An ingenious solution for storing your coffee machine while keeping the work surface clear

- Uses every last inch of space in the unit
- Can be fitted in any unit, whatever the width
- Easy front access and a complete overview of contents when fully extended

- The shelves' rounded corners and edges make them easy to clean
- The metal shelves are extremely stable, even when they are very wide
- Compatible with all standard drawer runners



- Handmade oak boxes of various sizes for storing and organising small items
- You can stack and rearrange them however you like.

## OPTIONS



### Adjustable extra shelves

These magnetic extra shelves can simply be placed on top of the shelves, and their angle can be adjusted.



### Non-slip mat

The non-slip mat stops the unit's contents from sliding around.



### Divider

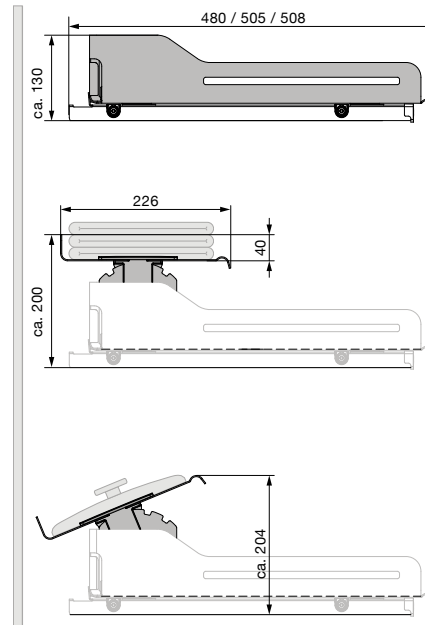
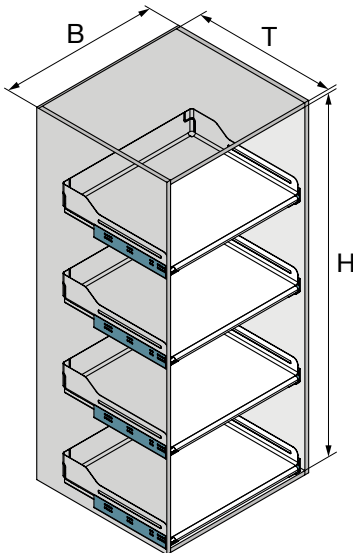
Magnetic dividers are a flexible way for you to organise the space on your shelves and stop stored items from falling out of the unit.



### Click Stop

The locking mechanism for pull-outs Click Stop temporarily transforms a movable pull-out shelf into a fixed work surface.

## TECHNICAL ILLUSTRATION



<b>B= Unit widths</b>	600 mm
<b>T= Interior depth</b>	480 mm (without spacer, with adapter set for drawer runner Blum Legrabox) 505 mm (without spacer, with universal adapters) 508 mm (with spacer)
<b>H= Interior height</b>	See the illustration at the top right



**Item details for Extendo please see  
Chapter 2 - Base units**



# WALL UNITS

Overview

Pegasus

Picanto

Spica





### **Pegasus**

The premium shelf lift for easy access to high shelves

→ 5.05



### **Picanto**

The narrow pull-out for organised kitchens and bathrooms

→ 5.11



### **Spica**

The elegant clip-on shelf rail

→ 5.15

## *MAXIMUM CONVENIENCE, MINIMUM EFFORT*

Smart movements and combined forces bring items stored in wall units within easy reach. Excellent access with a user-friendly system.



## WALL UNITS SYSTEM COMPARISON

	Unit width 150 mm	Unit width 275/300 mm	Unit width 550 mm	Unit width 600 mm	Unit width 900 mm	Unit width 1200 mm	Custom widths	For barrier-free living	
<b>Pegasus</b>					•	•	•	•	→ 5.05
<b>Picanto</b>	•	•							→ 5.11
<b>Spica</b>			•	•	•				→ 5.15

# PEGASUS SHELF LIFT

The premium shelf lift for easy access to high shelves



## CONFIGURATIONS



Libell shelves, white



Libell shelves, anthracite

## DISTINGUISHING FEATURES



- Just a light pull on the handle brings the unit's contents down to eye level
- Maximises storage space for tableware, groceries and appliances
- A great solution for barrier-free kitchens and homes

- Built-in brake and soft-swinging mechanism for gentle movement with a minimum of effort
- Fixtures for clipping in Libell metal shelves or custom wooden shelves/trays

- Rotating adjuster for setting the brake/soft-swinging mechanism
- Shelf heights can be tailored to your needs
- Shelves can easily be removed for cleaning and clipped back into the frame

## OPTIONS



### Non-slip mat

This magnetic non-slip mat stops the unit's contents from sliding around.

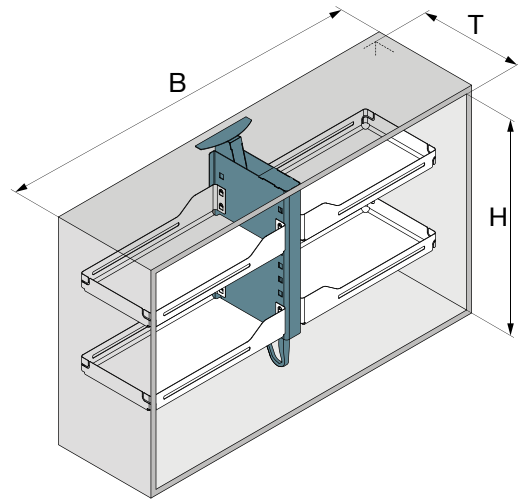


### Shelf support

This shelf support gives you the option of using custom shelves or wooden trays instead of Libell shelves.

## TECHNICAL ILLUSTRATION

<b>B= Unit widths</b>	900/1200 mm
<b>T= Interior depth</b>	285-330 mm
<b>H= Interior height</b>	660-946 mm





## Pegasus

Complete lift mechanism for wall cupboards

- Includes Softopen and Softclose
- No adjustment necessary

Load capacity:

Type 1 = 0 to 12 kg

Type 2 = 10 to 20 kg

Type	Surface	Width	Depth	Height	Art. No.
Type 1	white	58	282	660 - 946	500.0183.01
Type 1	anthracite	58	282	660 - 946	500.0183.43
Type 2	white	58	282	660 - 946	500.0184.01
Type 2	anthracite	58	282	660 - 946	500.0184.43

*silver available on request*



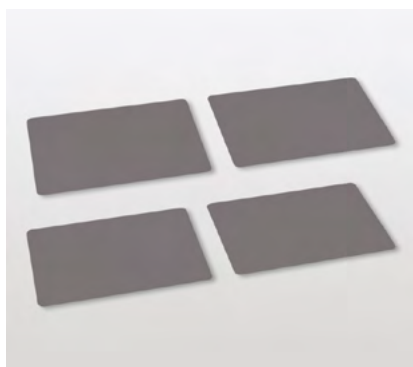
## Clip-on shelf set Libell

For Pegasus Type 1 and Type 2

Set includes 4 shelves

Unit width	Surface	Width	Depth	Height	Art. No.
900	white	355 / 355	267 / 267	92	500.0185.01
900	anthracite	355 / 355	267 / 267	92	500.0185.43
1200	white	505 / 505	267 / 267	92	500.0187.01
1200	anthracite	505 / 505	267 / 267	92	500.0187.43

*silver available on request*



## Non-slip mat set magnetic

For the Libell clip-on shelf set for Pegasus

- Magnetic
- Easy to remove for cleaning

Set includes 4 mats

oyster white = for white shelves

walnut grey = for anthracite shelves

Unit width	Surface	Width	Depth	Height	Art. No.
900	oyster white	310 / 310	222 / 222	0.5	500.0219.57
900	walnut grey	310 / 310	222 / 222	0.5	500.0219.56
1200	oyster white	460 / 460	222 / 222	0.5	500.0220.57
1200	walnut grey	460 / 460	222 / 222	0.5	500.0220.56



## Tray support

For Pegasus type 1 and type 2

- For individual tray widths
- Customisable clip-on components (e.g. wood, to match Fiore)

Height of the clip on elements = max. 105 mm

	Surface	Width	Depth	Height	Art. No.
	white	25	246	83	500.0188.01
	anthracite	25	246	83	500.0188.43

*silver available on request*





# PICANTO WALL UNIT

The narrow pull-out for organised kitchens and bathrooms



## CONFIGURATIONS



Plastic tray, transparent

## DISTINGUISHING FEATURES



- Perfect for storing small kitchen utensils or bathroom items



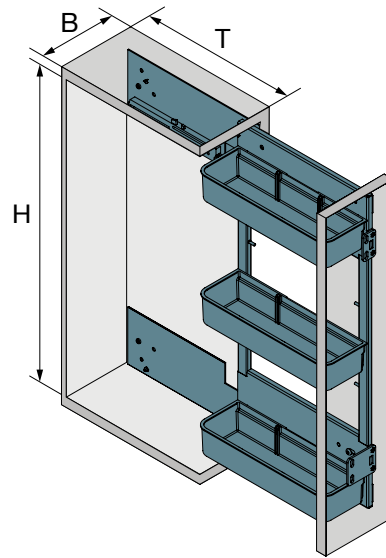
- Transparent plastic trays provide an excellent overview of the unit's contents
- Trays made of non-breakable plastic

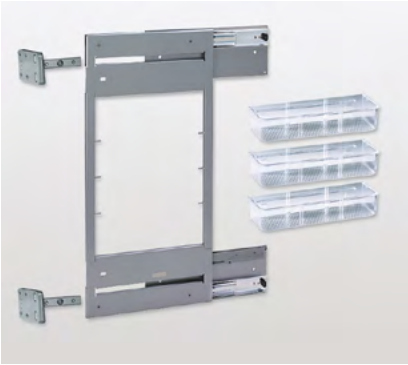


- Integrated soft-closing mechanism for smooth, silent closing

## TECHNICAL ILLUSTRATION

<b>B= Unit widths</b>	150, 275/300 mm
<b>T= Interior depth</b>	290 mm
<b>H= Interior height</b>	600 mm





## Picanto

Side panel full-extension runner for wall units

Set includes:

- 1 pull-out system with integrated Softclose and self-closing device
- 3 transparent clip-on trays
- 1 divider set for tray (2 pcs.)
- 2 front brackets


Unit width	Surface	Width	Depth	Height	Art. No.
150	silver	110	285	590	500.0095.12
275 / 300	silver	239	285	590	500.0094.12

*Additional clip-on trays and dividers available on request*

# SPICA SHELF RAIL

—  
The elegant clip-on shelf rail



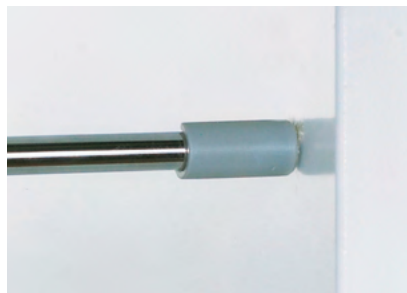
 swiss made

## CONFIGURATIONS



chrome

## DISTINGUISHING FEATURES



- Stops jars, glasses and pots from falling out of wall units
- Perfect for securing spice jars in the kitchen or toiletries in the bathroom
- Comes with plastic plugs for easy insertion in the holes drilled in unit sides
- Simply clip the rail into the plastic plugs and remove it any time you like
- Available in three lengths (for units 550, 600 or 900 mm wide)



## Spica

Clip-on shelf rail for wall units

- Includes plastic plugs which fit into 3 mm diameter holes
- Width tolerances are compensated by the clips

Unit width	Surface	Width	Depth	Height	Art. No.
550	chrome	512 - 518	6.8	6.8	500.0234.05
600	chrome	562 - 568	6.8	6.8	500.0235.05
900	chrome	862 - 868	6.8	6.8	500.0236.05





# HOUSEKEEPING

Overview

Sesam Standard

Sesam Mini

Cleaning cupboard accessories

Pesolo

Kitchen Tower

Stepolo





### Sesam Standard

For organised storage of cleaning and housekeeping items

→ 6.05



### Sesam Mini

The compact storage shelf

→ 6.09



### Accessories

A helping hand for cleaning cupboards and housekeeping items

→ 6.13



### Pesolo

The compact, versatile pull-out shelf for cupboard walls

→ 6.17



### Kitchen Tower

The versatile, modern base unit pull-out for kitchens and cleaning cupboards

→ 6.21



### Stepolo

Practical stepladders for housekeeping work

→ 6.25

## *BRING ORDER TO YOUR CLEANING CUPBOARD*

A clear overview, good organisation and, above all, quick access are vital when you are cleaning.

A clean, organised home, from the kitchen out.



# SESAM STANDARD CLEANING CUPBOARDS

For organised storage of cleaning and housekeeping items



reddot design award  
winner 2012

swiss made



## CONFIGURATIONS



Sesam, white



Sesam, silver



Sesam, anthracite

## DISTINGUISHING FEATURES



- Perfectly suited to storing cleaning and housekeeping items
- Side-mounted, leaving space for a clothes airer or an ironing board
- Can also be used for grocery storage
- Uses – and organises! – all the available space in the cupboard
- The shelves' bases are closed, which stops bottles from toppling and small items from falling through
- Easy assembly – four screws are all you need
- Can be mounted on the right or left wall of the cupboard
- The shelves, vacuum cleaner hose holder and hooks are all height-adjustable

## OPTIONS



### Tableo Libell

The shelves are simply fitted on the inside of a unit door, providing a handy storage space and quick access to small items



### Sesam Mini

Simple shelving system mounted on the inside of the door



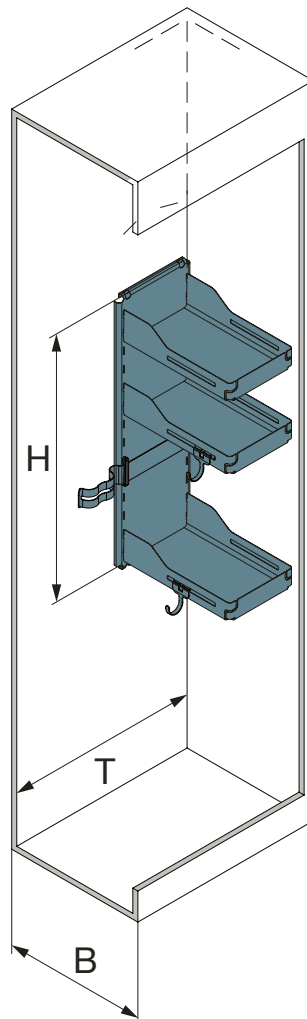
### Extra hooks

For clipping onto Libell shelves in Sesam



## TECHNICAL ILLUSTRATION

<b>B= Unit widths</b>	≥ 400 mm
<b>T= Interior depth</b>	≥ 430 mm
<b>H= Interior height</b>	≥ 750 mm





## Sesam Standard

Multi-purpose shelf system

- Can be fixed to the right or left wall
- Modular system, so the shelves are height-adjustable

Set containing:

- 1 shelf system
- 3 clip-on shelves
- 2 clip-on hooks
- 1 hose holder

Unit width	Surface	Width	Depth	Height	Art. No.
400	white	351	230 / 365	750	600.0356.01
400	silver	351	230 / 365	750	600.0356.12
400	anthracite	351	230 / 365	750	600.0356.43



## Clip-on hook (extra)

To clip onto the clip-on shelf Libell Sesam

	Surface	Width	Depth	Height	Art. No.
	white	50	48	88	600.0359.01
	silver	50	48	88	600.0359.12
	anthracite	50	48	88	600.0359.43



## Tablo Libell

Extra storage tray to be fitted on the inside of a unit door

- Easy to fix in place with just two screws

Unit width	Surface	Width	Depth	Height	Art. No.
600	white	388	161	58	600.0426.01
600	silver	388	161	58	600.0426.12
600	anthracite	388	161	58	600.0426.43

# SESAM MINI SHELF SYSTEM

—  
The compact storage shelf



 swiss made

## CONFIGURATIONS



Sesam Mini, white



Sesam Mini, silver



Sesam Mini, anthracite

## DISTINGUISHING FEATURES



- Two sturdy metal shelves and two hooks for buckets or cleaning cloths
- The perfect place to store cleaning equipment and shoe-cleaning tools
- Can also be used to store groceries and spices

- Can be installed in high or low units, on the inner wall or on the inside of the door
- An excellent addition to Sesam Standard for cleaning cupboards

- Easy assembly – four screws are all you need
- You can move the shelves and hooks around to suit your preferences
- The shelves' bases are closed, which stops bottles from toppling and small items from falling through

## OPTIONS

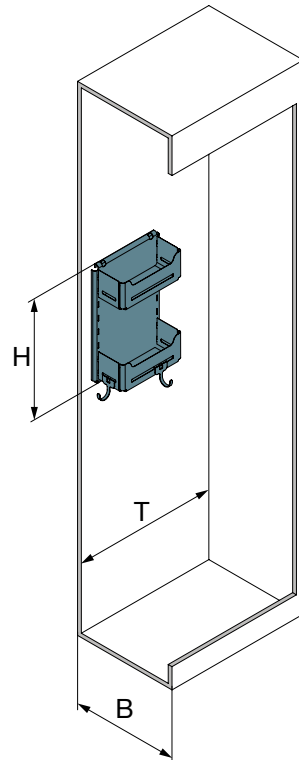


### Extra hooks

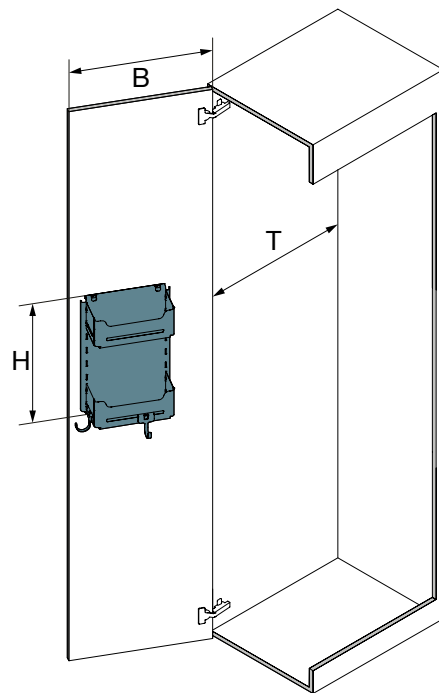
Extra hooks for hanging up cloths or a dustpan and brush

## TECHNICAL ILLUSTRATION

<b>B= Unit widths</b>	≥ 200 mm
<b>T= Interior depth</b>	≥ 330 mm
<b>H= Interior height</b>	≥ 434 mm



<b>B= Unit widths</b>	≥ 450 mm
<b>T= Interior depth</b>	≥ 200 mm
<b>H= Interior height</b>	≥ 434 mm





## Sesam Mini

Multi-purpose shelf system

- The ideal place to store small utensils thanks to the high, closed trays
- Can be fixed to the right or left wall
- Modular system, so the shelves are height-adjustable

Set includes:

- 1 shelf system
- 2 clip-on shelves
- 2 clip-on hooks

Unit width	Surface	Width	Depth	Height	Art. No.
200 / 450	white	121	278	434	600.0380.01
200 / 450	silver	121	278	434	600.0380.12
200 / 450	anthracite	121	278	434	600.0380.43



## Clip-on hook

To clip onto the clip-on shelf Libell Sesam

	Surface	Width	Depth	Height	Art. No.
	white	50	48	88	600.0359.01
	silver	50	48	88	600.0359.12
	anthracite	50	48	88	600.0359.43

# CLEANING CUPBOARD ACCESSORIES

A helping hand for cleaning cupboards and housekeeping items





## PRODUCT OVERVIEW



### Tablo Libell

The shelves are simply fitted on the inside of a unit door, providing a handy storage space and quick access to small items



### Libell broom holder

This handy metal broom holder is great for storing any kind of broom or brush. Extra hooks are available as an option.



### Libell hook rail

This classic metal rail with six hooks has a wide range of uses throughout the home.



### Cleaning cupboard shelves

Practical wire-mesh shelves for cleaning cupboards and housekeeping items



### Tablo Libell

Extra storage tray to be fitted on the inside of a unit door

- Easy to fix in place with just two screws

Unit width	Surface	Width	Depth	Height	Art. No.
600	white	388	161	58	600.0426.01
600	silver	388	161	58	600.0426.12
600	anthracite	388	161	58	600.0426.43



### Libell broom holder

To be mounted on the wall

- Includes two extra hooks that may be attached to the broom rack

	Surface	Width	Depth	Height	Art. No.
	white	75	330	85	600.0360.01
	silver	75	330	85	600.0360.12
	anthracite	75	330	85	600.0360.43

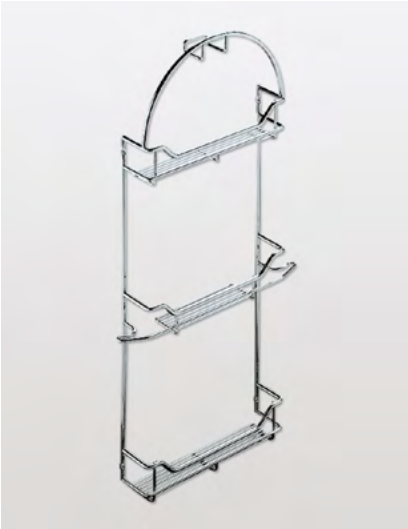


### Libell hook rail

To be mounted on the wall

- With 6 fixed hooks

	Surface	Width	Depth	Height	Art. No.
	white	44	360	54	600.0361.01
	silver	44	360	54	600.0361.12
	anthracite	44	360	54	600.0361.43



### Hose and accessory rack Excellent

For vacuum cleaner accessories

	Surface	Width	Depth	Height	Art. No.
	chrome	390	83	765	600.0085.05



### Hose rack Excellent


For vacuum cleaner accessories

	Surface	Width	Depth	Height	Art. No.
	chrome	310	78	224	600.0145.05

# PESOLO UNIVERSAL PULL-OUT

The compact, versatile pull-out shelf for cupboard walls



 swiss made

## CONFIGURATIONS



silver



anthracite

## DISTINGUISHING FEATURES



- Versatile pull-out shelf with two plastic trays and ten hooks
- A practical solution for storing cleaning materials and housekeeping items

- The trays can easily be removed for cleaning and replaced afterwards
- The hooks are clipped in individually under the trays

- Can be fitted in any cupboard, at any time
- Can be mounted on the left or right
- The spacers allow the system to be mounted behind a hinged door
- Easily retrofitted



## Pesolo

Pull-out with single extension

- May be installed on the left or right
- Includes 2 trays, 10 hooks and 2 spacers (15 mm)
- The spacers allow the system to be mounted behind a hinged door

	Surface	Width	Depth	Height	Art. No.
	silver	108	465	115	600.0354.00
	anthracite	108	465	115	600.0354.43






# KITCHEN TOWER UNIVERSAL PULL-OUT

The versatile, modern base unit pull-out for kitchens and cleaning cupboards



 swiss made

## CONFIGURATIONS

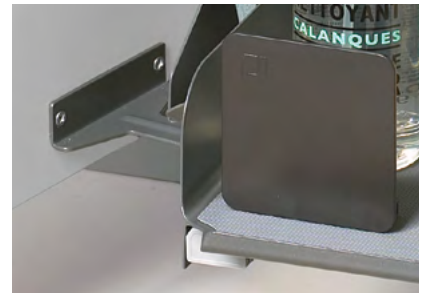


Kitchen Tower 600  
(white, silver, anthracite)



Kitchen Tower 450  
(white, silver, anthracite)

## DISTINGUISHING FEATURES



- Compact design for efficiently storing your most-used kitchen and housekeeping tools in one place
- Automatically glides out of the unit when you open the door
- An excellent overview and access to unit contents from three sides

- Orderly storage of cloths, sponges, cleaning products, brushes and more
- Removable dispenser with a transparent lid for storing small, loose items

- A stable, durable system designed for daily use
- Can be used whether the unit doors are mounted on the right or the left
- Base-mounted, so does not need to be positioned at a specific side

## OPTIONS



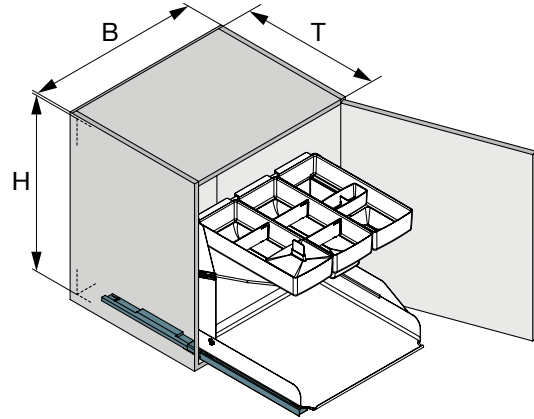
### Divider

Extra magnetic dividers for organising and arranging the storage space on the bottom shelf.

## TECHNICAL ILLUSTRATION

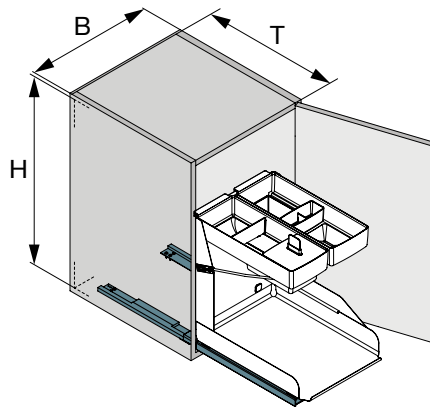
### Kitchen Tower 600

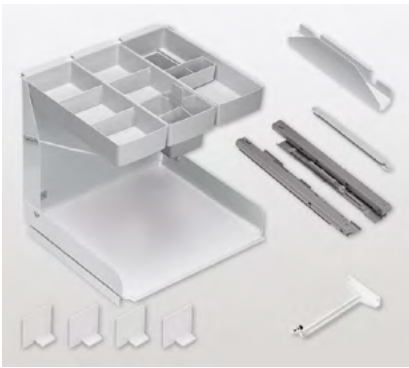
<b>B= Unit widths</b>	600 mm
<b>T= Interior depth</b>	500 mm
<b>H= Interior height</b>	560 mm



### Kitchen Tower 450

<b>B= Unit widths</b>	450 mm
<b>T= Interior depth</b>	500 mm
<b>H= Interior height</b>	560 mm





### Kitchen Tower type 600

Full base unit pull-out set for units with hinged doors

- Includes Softclose
- May be installed on the left or right

Set includes:

- 3 upper-level trays, incl. dividers and a 4-section dispenser \*
- 4 magnetic dividers
- 1 non-slip mat
- 1 chopping board holder
- 1 full-extension runner including Softclose
- 1 door fitting

Unit width	Surface	Width	Depth	Height	Art. No.
600	white	562 - 568	500	560	200.1787.21
600	silver	562 - 568	500	560	200.1787.12
600	anthracite	562 - 568	500	560	200.1787.43

\* Material: ABS, UV-resistant, food safe and dishwasher safe



### Kitchen Tower type 450

Full base unit pull-out set for units with hinged doors

- Includes Softclose
- May be installed on the left or right

Set includes:

- 2 upper-level trays, incl. dividers and a 4-section dispenser \*
- 2 magnetic dividers
- 1 non-slip mat
- 1 chopping board holder
- 1 full-extension runner including Softclose
- 1 door fitting

Unit width	Surface	Width	Depth	Height	Art. No.
450	white	412 - 418	500	560	200.1786.21
450	silver	412 - 418	500	560	200.1786.12
450	anthracite	412 - 418	500	560	200.1786.43


\* Material: ABS, UV-resistant, food safe and dishwasher safe



# STEPOLO STEPLADDER

Practical stepladders for housekeeping work



 swiss storage design

## CONFIGURATIONS



1 step, natural aluminium



2 steps, natural aluminium



1 step, black aluminium



2 steps, black aluminium

## DISTINGUISHING FEATURES



- Practical stepladders for greater safety in the home
- Sturdy yet elegant design based on anodised aluminium



- Can be folded down flat
- Available with one or two steps
- Includes wall mounting bracket (Stepolo 2)



- Comes with a bracket allowing it to be stowed away neatly under a work surface or shelf (Stepolo 1)



## Stepolo 1

One-step stool, includes mounting bracket

- Can be mounted under a shelf

Height of step: 240 mm

Load capacity: 150 kg

Material: brushed, anodised aluminium

	Surface	Width	Depth	Height	Art. No.
	natural aluminium	418	37	490	600.0339.20
	black aluminium	418	37	490	600.0339.37



## Stepolo 2

Two-step stool, includes wall mounting bracket

Height of first step: 249 mm

Height of second step: 498 mm

Load capacity: 150 kg

Material: brushed, anodised aluminium

	Surface	Width	Depth	Height	Art. No.
	natural aluminium	418	37	768	600.0340.20
	black aluminium	418	37	768	600.0340.37





LIVING AREA / DRESSING ROOM

Overview

Extendo

Lina

Pleno Standard

Shoe racks

Wardrobe accessories

Stepolo







### Extendo

The stylish pull-out shelf that maximises storage space in units

→ 7.05



### Lina

The innovative rack for storing trousers without creasing them

→ 7.09



### Pleno Standard

The contemporary shoe pull-out that gives a clear overview

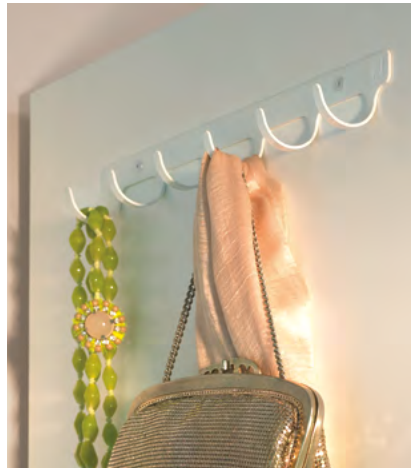
→ 7.15



### Shoe racks

Handy accessories for organised shoe storage

→ 7.21



### Wardrobe accessories

Practical accessories for a better overview of your wardrobe

→ 7.27



### Stepolo

Practical stepladders for daily use

→ 7.31

## *ELEGANT SIMPLICITY FROM THE LIVING AREA TO THE DRESSING ROOM*

All of your favourite items should be stored carefully and stylishly. Tasteful organisational aids can help you arrange your living room units and wardrobe and give you a clear overview of their contents.  
A place for everything, and everything in its place!

## LIVING AREA / DRESSING ROOM SYSTEM COMPARISON

	Unit width 450 mm	Unit width 500 mm	Unit width 550 mm	Unit width 600 mm	Unit width 800 mm	Unit width 900 mm	Unit width 1000 mm	Custom widths	For sliding doors / open units	For barrier-free living	
<b>Extendo</b>	•	•	•	•		•		•	•	•	→ 7.05
<b>Lina Standard</b>	•	•	•	•	•	•	•		•	•	→ 7.09
<b>Lina Basic</b>		•			•		•	•	•	•	→ 7.09
<b>Pleno Standard</b>				•						•	→ 7.15
<b>Shoe racks</b>			•	•		•		•	•		→ 7.21

# EXTENDO PULL-OUT SHELF

The stylish pull-out shelf that maximises storage space in units





## CONFIGURATIONS



Extendo Libell, white



Extendo Libell, silver



Extendo Libell, anthracite



Extendo Fioro, anthracite

## DISTINGUISHING FEATURES



- A stylish storage solution for living areas and dressing rooms
- Perfect for storing clothes, shoes and accessories
- Easy front access and a complete overview of contents when fully extended

- Uses every last inch of space in the unit
- Shelves can be fully extended
- Can be fitted in any unit, up to widths of 900 mm
- Can be retrofitted

- The shelves' bases are closed, so delicate fabrics will not catch on them
- Compatible with any kind of unit – even units with hinged doors or no doors at all



- The Click Stop locking mechanism prevents Extendo pull-out shelves from rolling back into the unit too soon



## OPTIONS



### Adjustable extra shelves

These extra shelves can simply be placed on top of the shelves, and their angle can be adjusted – ideal for storing shoes.



### Wooden boxes

Handmade oak boxes of various sizes for storing jewellery and accessories. You can stack and rearrange them however you like.



### Divider

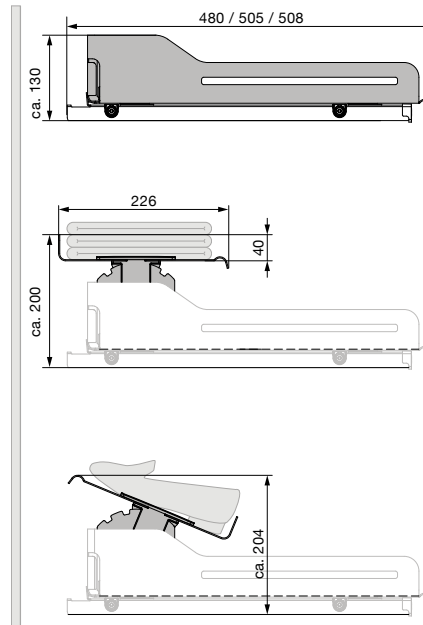
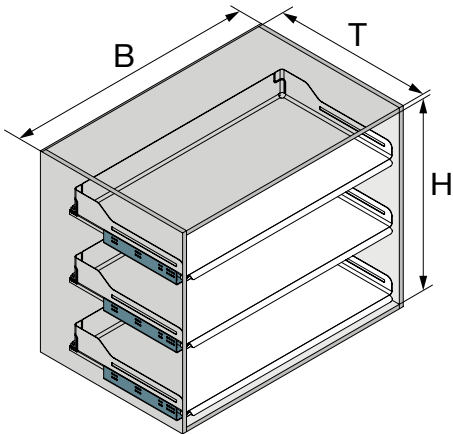
Magnetic dividers are a flexible way for you to organise your shelf space. You could even use them as bookends in the living area.



### Click Stop

The locking mechanism for pull-outs Click Stop temporarily transforms a movable pull-out shelf into a fixed work surface.

## TECHNICAL ILLUSTRATION



<b>B= Unit widths</b>	450/500/550/600/900 mm
<b>T= Interior depth</b>	480 mm (without spacer, with adapter set for drawer runner Blum Legrabox) 505 mm (without spacer, with universal adapters) 508 mm (with spacer)
<b>H= Interior height</b>	See the illustration at the top right




**Item details for Extendo please see  
Chapter 2 – Base units**

# LINA TROUSER RACK



The innovative rack for storing trousers without creasing them



 swiss made

## CONFIGURATIONS



Lina Standard  
(white, silver, anthracite)



Lina Basic  
(white, silver, anthracite)

## DISTINGUISHING FEATURES



- Space for up to 15 pairs of trousers (Standard)
- Beautifully designed and highly stable Libell metal shelf for storing belts and accessories



- The cleverly-designed hangers can be clipped onto the front of the shelf individually
- Easy to attach to the left or right wall of the wardrobe (Lina Standard)



- Use every last inch of space in your wardrobe with Lina Basic
- Slots in under a shelf (Lina Basic)

## OPTIONS



### Extra hangers

Extra hangers boost the storage capacity of your trouser rack. Besides, the hangers can be used on conventional hanging rails too.



### Wooden boxes

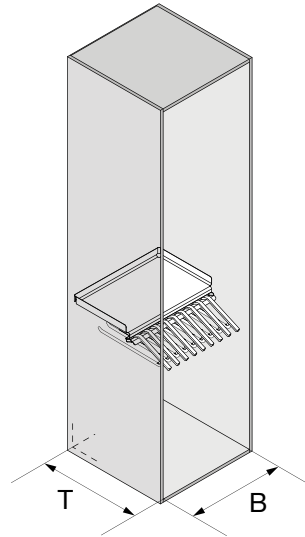
Handmade oak boxes for storing jewellery and accessories.

## TECHNICAL ILLUSTRATION

### Lina Standard

**B= Interior width**  $\geq 445$  mm

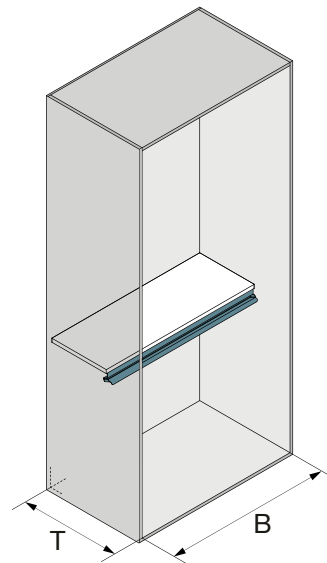
**T= Interior depth**  $\geq 530$  mm

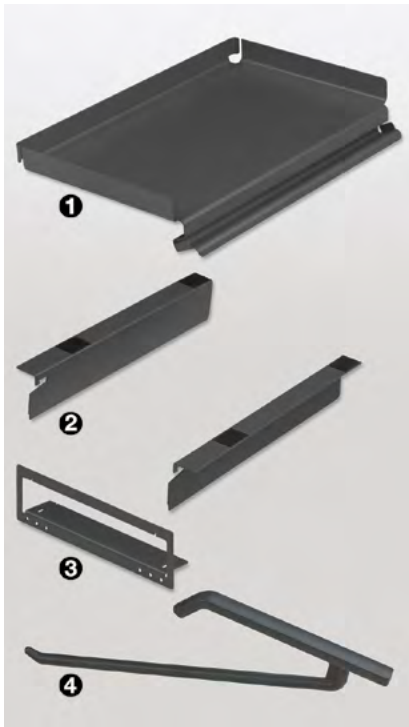


### Lina Basic

**B= Interior width**  $\geq 460/760/960$  mm

**T= Interior depth**  $\geq 530$  mm





## Lina Standard

Wardrobe storage system for trousers

- Can be mounted to the left or right wall

Set consisting of:

- #1 - 1 shelf
- #2 - 2 shelf supports (1 left, 1 right)
- #3 - 1 wall plate
- #4 - 9 hangers

Internal depth: min. 530 mm

Load capacity: 15 kg

	Surface	Width	Depth	Height	Art. No.
	white	440	516	162	600.0364.01
	silver	440	516	162	600.0364.12
	anthracite	440	516	162	600.0364.43



## Lina Basic

Wardrobe storage system for trousers

- To be mounted under a shelf
- Custom widths of up to 1,250 mm available on request

Set consisting of:

- 1 metal support
- X hangers\*

- \* 9 with the 500 mm version
- 15 with the 800 mm version
- 18 with the 1,000 mm version

Interior depth: min. 530 mm

Unit width min.	Surface	Width	Depth	Height	Art. No.
500	white	460	80	51	600.0423.01
500	silver	460	80	51	600.0423.12
500	anthracite	460	80	51	600.0423.43
800	white	760	80	51	600.0424.01
800	silver	760	80	51	600.0424.12
800	anthracite	760	80	51	600.0424.43
1000	white	960	80	51	600.0425.01
1000	silver	960	80	51	600.0425.12
1000	anthracite	960	80	51	600.0425.43





### Additional hanger set

For hanging on the Lina trouser rack

Set of 3 hangers

	Surface	Width	Depth	Height	Art. No.
	grey	17	423	100	600.0365.59



### Wooden box

For shelf Lina Standard

- Divided into two compartments

	Surface	Width	Depth	Height	Art. No.
	Light oak	437	308	43	600.0377.36




# PLENO STANDARD SHOE PULL-OUT



The contemporary shoe pull-out that gives a clear overview



 swiss made

## CONFIGURATIONS



Libell shelves, white



Libell shelves, anthracite

## DISTINGUISHING FEATURES



- Clear, compact shoe storage
- The whole shoe rack slides forward when the door is opened

- Moves smoothly and quietly
- The stable Libell metal shelves can be clipped into the frame at any height
- The shelves' rounded corners make them easy to clean

- For hinged doors with standard hinges (front panels with handles or handle-free front panels with push-to-open system)
- Can be mounted on the right or left
- Soft opening and closing
- Mounted on ball bearings for smooth movement when pulled out

## OPTIONS



### Adjustable extra shelves

An extra storage shelf to maximise use of space. The extra shelf can be positioned at three different angles, depending on the shoes being stored there.



### Non-slip mat

The non-slip mat stops the unit's contents from sliding around.

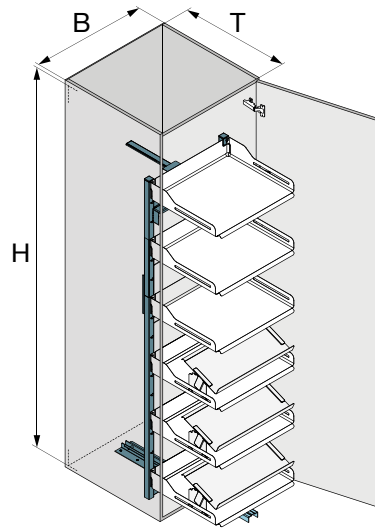


### Wooden boxes

Handmade oak boxes of various sizes for storing accessories like shoe horns, shoe cleaning brushes and shoelaces.

## TECHNICAL ILLUSTRATION

<b>B= Unit widths</b>	600 mm
<b>T= Interior depth</b>	500 mm
<b>H= Interior height</b>	1900 mm





## Hochschrank Pleno Standard Libell larder pull-out 1900

Complete mechanism set, including Libell clip-on shelves

Set includes:

- 1 main frame
- 1 frame top 1900
- 6 clip-on shelves Libell
- 1 set of door connections
- 1 lower slide, including Softopen
- 1 upper slide

Opening angle: 110°

Load capacity: 100 kg

Interior depth: min. 500 mm

Unit width	Surface	Width	Depth	Height	Art. No.
600	white	562 / 568	495	1715	100.0918.01
600	silver	562 / 568	495	1715	100.0918.12
600	anthracite	562 / 568	495	1715	100.0918.43

*Other heights or widths available on request*



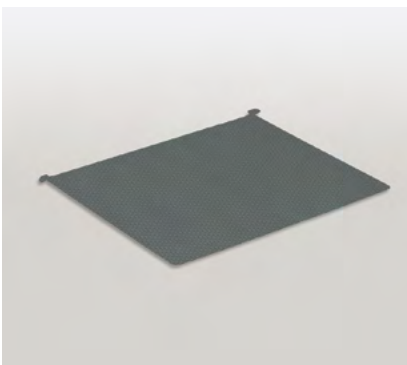
## Non-slip mat magnetic Libell

For the Libell clip-on shelf for Hochschrank Pleno Standard

- Magnetic
- Easy to remove for cleaning

Unit width	Surface	Width	Depth	Height	Art. No.
600	oyster white	432	364	0.5	100.0815.57

*Other widths available on request*



## Non-slip mat Standard Libell

For the Libell clip-on shelf for Hochschrank Pleno Standard

- Gummed on both sides
- Raised diamond pattern
- Easy to remove for cleaning

Unit width	Surface	Width	Depth	Height	Art. No.
600	grey	476	393	1	100.0819.18

*Other widths available on request*





### Extra shelf

For clip-on shelf Libell for Hochschrank Pleno Standard

- Magnetic - the magnetic feet stick to the Libell shelf
- Shelf can be placed in three different positions

Unit width	Surface	Width	Depth	Height	Art. No.
600	white	459	226	160 / 164	200.1448.01
600	silver	459	226	160 / 164	200.1448.12
600	anthracite	459	226	160 / 164	200.1448.43



### Wooden box set "low" Pleno

For clip-on shelf Libell for Hochschrank Pleno

Set includes:

1 x horizontal bracket (473 / 323 x 102 x 87 mm)

2 x small, low-sided boxes (247 x 148 x 50 mm)

Unit width	Surface	Width	Depth	Height	Art. No.
600	Light oak			50 / 87	100.0907.36



### Wooden box set "high" Pleno

For clip-on shelf Libell for Hochschrank Pleno

Set includes:

1 x horizontal bracket (473 x 102 x 87 mm)

1 x large, high-sided box (247 x 296 x 87 mm)


Unit width	Surface	Width	Depth	Height	Art. No.
600	Light oak			87	100.0908.36



# SHOE RACKS

—  
Handy accessories for organised shoe storage



 swiss made

## PRODUCT OVERVIEW



### Shoe shelf for Extendo

An extra storage shelf to maximise use of space. The extra shelf is easy to attach to Libell shelves and can be positioned at three different angles, depending on the shoes being stored.



### Shoe rest set

This practical shoe rest set has a closed plastic base, so any dirt or water is retained in the tray.



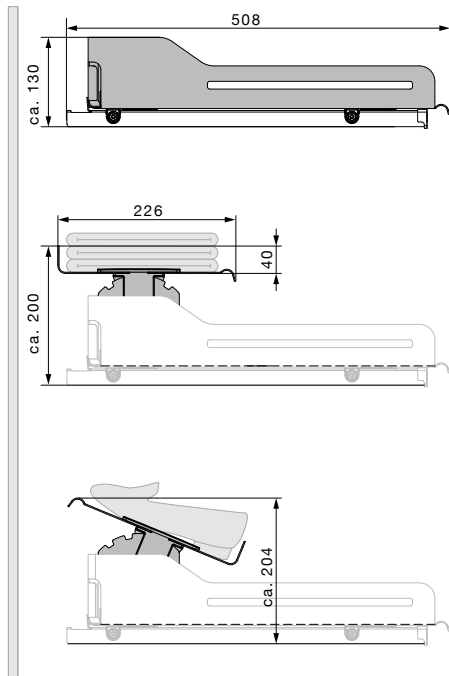
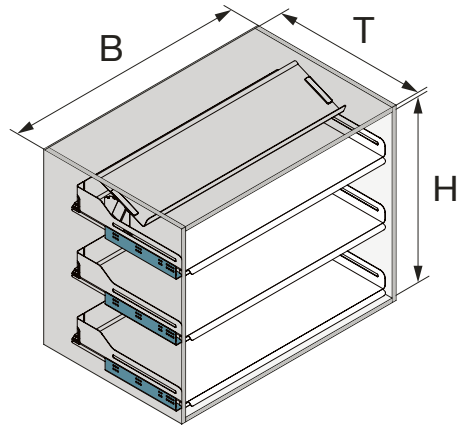
### Shoe rest

This plastic shoe rest can be cut to the width you need. Its closed base prevents dirt and water from escaping and can be cleaned quickly and easily. It can be fitted in units of any width.

## TECHNICAL ILLUSTRATION

### Extendo

<b>B= Interior width</b>	550/600/900 mm
<b>T= Interior depth</b>	508 mm
<b>H= Interior height</b>	see illustration below



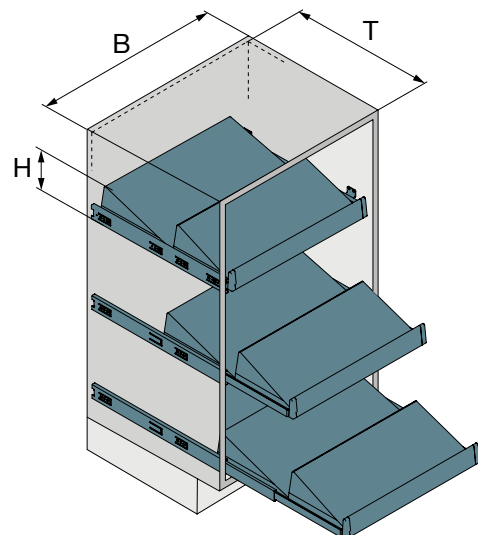
Installation height without extra shelves

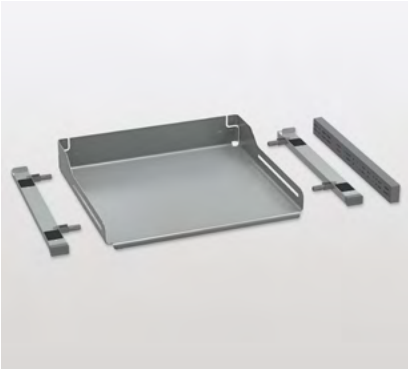
Installation height with extra shelves, horizontal

Installation height with extra shelves, tilted

### Shoe rest set

<b>B= Interior width</b>	550/600 mm
<b>T= Interior depth</b>	535 mm
<b>H= Interior height</b>	130 mm





### Extendo Libell Universal pull-out shelf

Shelf with spacer for concealed extension runners (excl. Blum Legrabox)

- Suitable for standard hinged doors or sliding doors

Set includes:

- 1 Extendo Libell shelf
- 1 set of universal adapters for drawer runners of Blum, Grass, Hettich, etc. with a nominal length of 450 mm (excl. Blum Legrabox)
- 1 spacer (900 mm sets include 2 spacers)
- 2 door deflectors

Unit width	Surface	Width	Depth	Height	Art. No.
550	white	475	508	96	200.1316.xx
600	silver	525	508	96	200.1318.xx
900	anthracite	800	508	96	200.1324.xx

Colour code .xx: 01 = white, 12 = silver, 43 = anthracite | Height = shelf height without adapter  
Other widths available on request



### Extendo Libell Legrabox pull-out shelf

Shelf with spacer for drawer runner Blum Legrabox

- Suitable for standard hinged doors or sliding doors

Set includes:

- 1 Extendo Libell shelf
- 1 adapter set for drawer runner Blum Legrabox (nominal length 450 mm)
- 1 spacer (900 mm sets include 2 spacers)
- 2 door deflectors

Unit width	Surface	Width	Depth	Height	Art. No.
550	white	475	508	96	200.2267.xx
600	silver	525	508	96	200.2268.xx
900	anthracite	800	508	96	200.2269.xx

Colour code .xx: 01 = white, 12 = silver, 43 = anthracite | Height = shelf height without adapter  
Other widths available on request





### Extra shelf

For Extendo pull-out shelves with spacers

- Magnetic - the magnetic feet stick to Extendo pull-out shelves
- Shelf can be placed in three different positions

	Surface	Width	Depth	Height	Art. No.
550	white	460	226	160 / 164	200.1448.xx
600	silver	510	226	160 / 164	200.1450.xx
900	anthracite	785	226	160 / 164	200.1456.xx

Colour code .xx: 01 = white, 12 = silver, 43 = anthracite



### Concealed extension runner Grass Dynapro

Full-extension runner for Extendo pull-out shelf

- With Softclose

Nominal length of the runner: 450 mm

Load capacity: 40 kg

Set of 1 pair

	Surface	Width	Depth	Height	Art. No.
	zinc plated	52 / 52	450	49	200.1408.04



### Concealed extension runner Blum Legrabox

Full-extension runner for Extendo pull-out shelf

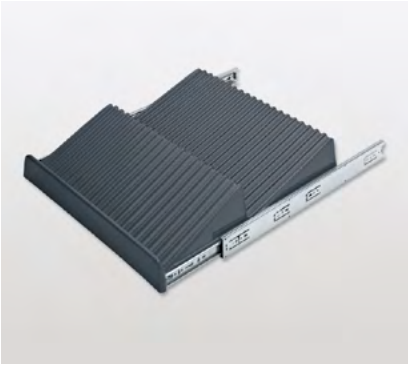
- With Softclose

Nominal length of the runner: 450 mm

Load capacity: 40 kg

Set of 1 pair

	Surface	Width	Depth	Height	Art. No.
	zinc plated	57 / 57	450	50	200.1785.00



### Shoe rest set

With full extension

Width-adjustable for 16/19 mm-thick side panel with or without 15 mm spacer 200.0319.xx (26 mm spacer is not possible)

Load capacity: 25 kg

Unit width	Surface	Width	Depth	Height	Art. No.
550	anthracite	512 - 518	525	130	200.0598.43
600	anthracite	562 - 568	525	130	200.0627.43



### Spacer

For shoe rest set

- Suitable for 32-mm pre-drilled holes

	Surface	Width	Depth	Height	Art. No.
	silver	15	75	30	200.0319.12



### Shoe rest

Can be cut to meet individual requirements, mounted on pull-out shelf

Tray depth: 515 mm

	Surface	Width	Depth	Height	Art. No.
	anthracite	1750	525	110	200.0415.43

# WARDROBE ACCESSORIES



Practical accessories for a better overview of your wardrobe



## PRODUCT OVERVIEW



### **Libell hook rail**

This classic metal rail and six hooks have a wide range of uses throughout the home.



### **Pesolo universal pull-out**

Versatile pull-out shelf with two plastic trays and ten hooks – depending on your needs, you can use it as a pull-out tie rack or a pull-out shelf for storing small items in the bathroom.



### Libell hook rail

To be mounted on the wall

- With 6 fixed hooks

	Surface	Width	Depth	Height	Art. No.
	white	44	360	54	600.0361.01
	silver	44	360	54	600.0361.12
	anthracite	44	360	54	600.0361.43



### Pesolo

Pull-out with single extension

- May be installed on the left or right
- Includes 2 trays, 10 hooks and 2 spacers (15 mm)

	Surface	Width	Depth	Height	Art. No.
	silver	180	465	115	600.0354.00
	anthracite	180	465	115	600.0354.43






# STEPOLO STEPLADDER

—

Practical stepladders for daily use



 swiss storage design

## CONFIGURATIONS



1 step, natural aluminium



2 steps, natural aluminium



1 step, black aluminium



2 steps, black aluminium

## DISTINGUISHING FEATURES



- Practical stepladders for greater safety in the home
- Sturdy yet elegant design based on anodised aluminium



- Can be folded down flat
- Available with one or two steps
- Includes wall mounting bracket (Stepolo 2)



- Comes with a bracket allowing it to be stowed away neatly under a work surface or shelf (Stepolo 1)



## Stepolo 1

One-step stool, includes mounting bracket

- Can be mounted under a shelf

Height of step: 240 mm

Load capacity: 150 kg

Material: brushed, anodised aluminium

	Surface	Width	Depth	Height	Art. No.
	natural aluminium	418	37	490	600.0339.20
	black aluminium	418	37	490	600.0339.37



## Stepolo 2

Two-step stool, includes wall mounting bracket

Height of first step: 249 mm

Height of second step: 498 mm

Load capacity: 150 kg

Material: brushed, anodised aluminium

	Surface	Width	Depth	Height	Art. No.
	natural aluminium	418	37	768	600.0340.20
	black aluminium	418	37	768	600.0340.37







INNOVATION  
IS PART OF  
OUR TRADITION





## **Passionate about helping you enjoy your home**

Your enjoyment of your home is our chief concern. We at peka are passionate about enhancing your enjoyment of your home with our practical, flawlessly made furniture fittings that combine an attractive appearance with unmatched quality. We have been developing and manufacturing pull-outs, accessories and smart interior solutions for the kitchen and furniture industry for over fifty years. Thanks to our steadfast commitment to finding out exactly what our customers want, our products are always designed to respond to real needs, so it is only natural that they stand out through their user-friendliness, unparalleled quality and space-saving design.

Our unwavering dedication to producing inventive, space-saving solutions and our resolute refusal to compromise on quality and functionality have made us a global leader in our industry. Today, we are one of the top market providers of larder unit pull-outs, slide-out corner systems and ecologically designed waste sorting systems. Our numerous international patents stand testament to our ingenuity.

## **Three generations of expertise**

Our company's history goes back to 1964, when Ernst Weber founded peka, a small company manufacturing drawer runners, in Mosen, Switzerland. Thus the foundations were laid for the company now known as peka-metall AG.

His son Peter and Peter's wife Marlis joined the business at a young age, followed shortly afterwards by his son-in-law Osi Merz. Siblings Beni Weber and Sandra Weber Blättler have been with peka for around 10 years and have headed up the company since January 2015.


peka currently employs around 130 people in Mosen, on the shores of Lake Hallwil near Lucerne.





## **Better living starts with a sheet of metal**

So what is the secret to our success? Probably the fact that we constantly strive to find smart solutions to everyday problems. That may sound simple, but it takes persistence and unwavering attention to detail. We put ourselves in our customers' shoes and seek out the little annoyances that niggle at you in day-to-day life – like the precarious pile of brooms, dusters and ironing equipment that always seems ready to collapse on top of you when you open your cleaning cupboard, or the wire baskets in your kitchen units, with their open bases that let small items fall through. Thanks to our steadfast commitment to finding out exactly what our customers want, our products are always designed to respond to real needs, so it is only natural that they stand out through their user-friendliness, unparalleled quality and space-saving design. Besides, peka's track record of innovation is backed up by numerous international patents.

 peka – Smart innovations in Swiss quality since 1964.





## CORE EXPERTISE

If you are looking for top-quality sheet-metal products, you have come to the right place! peka develops and manufactures a range of complex movement mechanisms for cabinets, which can be equipped with shelves, trays, pull-out systems and much more. The user-friendly design of our storage space solutions for kitchen and living-room furniture puts them ahead of the pack. We and our customers are not the only ones to praise our products: independent experts really rate them too, as evidenced by the multiple awards won by various peka products.

At peka, every step of the manufacturing process takes place under one roof. From strip steel to the packaged, ready-to-send product: our manufacturing process uses highly efficient machines to shape a wide variety of material grades and dimensions and assemble them into products that are sure to delight people of all ages, whatever their living situation – after all, our products make it a lot easier to cook and, more broadly, enjoy life in your home.

## A LEADERSHIP POSITION BACKED BY THE LATEST INFRASTRUCTURE

It takes state-of-the-art infrastructure to be a market leader. Our manufacturing equipment comprises progressive presses with and without servo drive, CD and laser welding machines, the latest press brakes and an extremely efficient powder coating facility.

Our infrastructure is just one of the factors in our success; our highly skilled, customer-oriented workers are the other. With our years of experience in sheet-metal working, particularly sliding systems and fittings, peka is a partner you can rely on. Should you want your own custom-made product batch, we can work with you across the entire production process, from engineering to assembly.

### Partner of „Virtuelle Fabrik“

peka is one of the 23 partners of Swiss mechatronics platform Virtuelle Fabrik, a network of industry partners devoted to innovation, development and manufacturing in mechatronics. Virtuelle Fabrik offers comprehensive solutions that foster product innovation, allowing members to benefit from consolidated expertise in consultancy, research, design, engineering, mechanical manufacturing and assembly.

Find out more about Virtuelle Fabrik (only available in German):

<http://www.virtuellefabrik.ch/Mehr-über-die-vf>



## *DESIGNING AND MANUFACTURING SHEET-METAL PRODUCTS FOR YOU*

If you are looking for a partner for your sheet-metal products, we may well be the perfect choice for custom medium- or large-batch production. peka has decades of experience in sheet-metal working, particularly sliding systems and fittings. Our experience is rooted in close cooperation with our customers. All of our products are the fruit of intense, individual dialogue with their future users. We want you to tell us exactly what you need your product to do, so that we, as your industry partner, can make it possible.

So why not tap into our expertise and reap the benefits of cutting-edge manufacturing at peka? Whether you need us to handle a particular stage or the entire production process, we can assist you with every step of developing and manufacturing your perfect product, from engineering to component assembly.





## DISCOVER PEKA: LIVE AND ONLINE

You can find our entire product range online at [www.peka-system.ch](http://www.peka-system.ch). Our website features up-to-date information on our latest innovations and all our current products, while brochures, technical documentation, CAD drawings and assembly instructions can be viewed easily at the click of a mouse.



**Part of the association for leading manufacturers**  
peka is member of the Association of Swiss Locks and Builders Hardware Manufacturers, which represents Switzerland's leading producers of builders' hardware, locks and cylinders.



**Part of the association for kitchen specialists**  
peka is a member of the Swiss industry association for kitchen specialists.



## QUALITY MATTERS TO US



A product brings joy from the time it is ordered and throughout its lifetime: to us, that is the definition of a quality product that deserves your attention. As you can see, we have set the bar high! We work closely with external testing institutes to determine every last step that must be taken to guarantee an excellent product – from assembly to use and possible manipulations.

Our stress tests entail using appropriate equipment to perform extensive movement and load tests in a continuous cycle – all to ensure stress-free enjoyment of our finished products.



We have complied with international EN ISO 9001 quality assurance guidelines for development, production and administration since 1994.



peka products have secured multiple awards from prominent design and furniture judging panels. These 'seals of approval' are further proof of our products' top-quality design and superlative user-friendliness.



peka-metall AG received a Rating Certificate with Risk Indicator 1 (minimum risk of business failure) from business information specialist Dun & Bradstreet (Schweiz) AG in 2015. Learn more at [www.top-rating.ch](http://www.top-rating.ch)





### **Editor**

peka-system AG  
Luzernerstrasse 20  
6295 Mosen, Switzerland

+41 41 919 94 20

[peka@peka-system.ch](mailto:peka@peka-system.ch)

[www.peka-system.ch](http://www.peka-system.ch)



### **Edition**

April 2019



For installation videos, installation instructions,  
CAD data and further information,  
visit our website: [www.peka-system.ch](http://www.peka-system.ch)

All general Terms and Conditions of sale  
and delivery apply, published under  
[www.peka-system.ch/en/agb](http://www.peka-system.ch/en/agb)







peka  
Luzernerstrasse 20  
6295 Mosen  
Switzerland

T +41 41 919 94 00  
F +41 41 919 94 10  
[peka@peka-system.ch](mailto:peka@peka-system.ch)  
[www.peka-system.ch](http://www.peka-system.ch)